

SHADOWLINE SERIES



EXTERIOR SHADOWLINE PANEL

6" - 12', 16' & 20'

6" - 2 x 3" REVEAL - 12', 16' & 20'

12" - COMING SOON

PVC TRIMS

J-TRIM, 2PC FINISH TRIM,
2PC TERMINATION WALL TRIM,
OUTSIDE CORNER, INSIDE CORNER
H-MOULD, F TRIM, STARTER STRIP

PVC/ALUMINUM TRIMS

OUTSIDE CORNER, FINISH TRIM,
STARTER STRIP

TESTING

- CCMC 14323-R
- ICCES-ESR 4560
- CAN/ULC-S134
- NFPA285
- NFPA268
- CAN/ULC-S745-11
- ASTM D3679-17
- ASTM D696-16
- ASTM D635-18
- CAN/CGSB - 41.24-95
- CAN/ULC S102-2018
- ASTM G154-16
- ASTM D790
- ASTM G155
- ASTM E330/E330-14
PROCEDURE B Q50<0.85
- ASTM C518-17 (MODIFIED)
- RILEM TC -127-MS
ACID RAIN

LEAD TIMES

2-3 WEEKS FOR STOCK COLORS + SHIPPING
3-6 WEEKS FOR NON-STOCK COLORS + SHIPPING
(OUTSIDE OF WESTERN CANADA)

CHAMCLAD ADVANTAGE

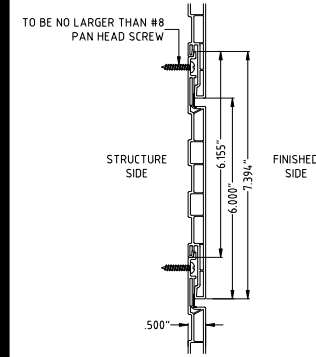
- 50 YEAR WARRANTY
- LEED COMPLIANT
- CLASS A FIRE RATED
- SCRATCH & GRAFFITI RESISTANT
- SUPERIOR UV PROTECTION
- IMPERVIOUS TO WATER ABSORPTION, BACTERIA AND MOLD
- LOW MAINTENANCE
- HIGH IMPACT RESISTANCE
- SHORT LEAD TIMES
- NORTH AMERICAN MANUFACTURED
FROM 100% RECYCLED RIGID PVC
- CANADA AND US DISTRIBUTION

FINISHES

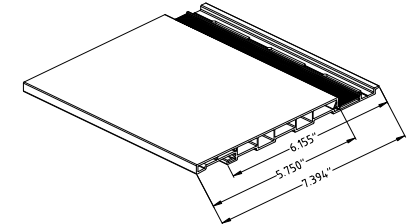
WOODGRAINS, SOLID COLORS, BRUSHED FINISHES,
INTERIOR FINISHES
NON-STOCK COLORS AVAILABLE (ADDITIONAL LEAD TIMES)



6" Panel with a full 6" reveal

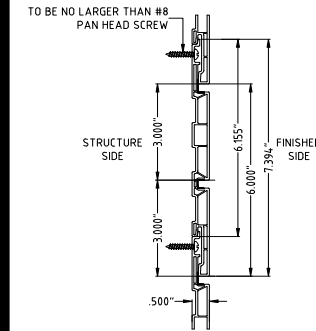


6" SHADOWLINE PROFILE
STACKER SYSTEM INSTALLATION

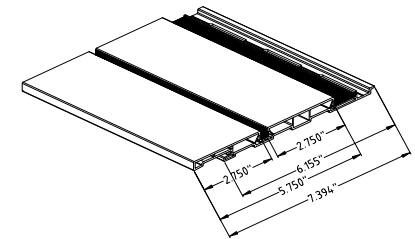


PERSPECTIVE

3" Reveal 6" Panel with a 2 x 3" reveals

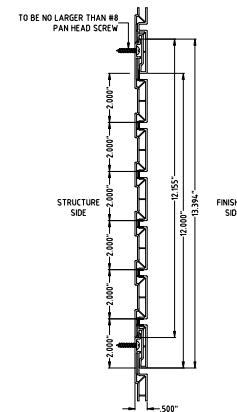


6" PANEL WITH 3" SHADOWLINE PROFILE
STACKER SYSTEM INSTALLATION



PERSPECTIVE

COMING SPRING 2023! 12" Panel with 6 x 2" reveals



12" PANEL WITH 6" SHADOWLINE PROFILE
STACKER SYSTEM INSTALLATION

