

# SHADOWLINE SERIES

## ENGINEERED RECYCLED RIGID PVC

### ½" EXTERIOR SHADOWLINE PANEL

6" - 12', 16' & 20'

6" - 2 x 3" REVEAL - 12', 16' & 20'

12" - 6 x 2" REVEAL - 12' & 16'

Please Note: if you are using our shadowline panels for soffit ventilation is supplied by others.

### ALUMINUM /PVC TRIMS

2PC OUTSIDE CORNER (2" & 3.5"), 2PC J- TRIM (2" & 3.5"), 2PC ALUMINUM H-TRIM (2.75"), 1PC PVC INSIDE CORNER, STARTER STRIP

### LEAD TIMES

1-2 WEEKS FOR STOCK COLORS + SHIPPING

2-3 WEEKS FOR NON-STOCK COLORS + SHIPPING

### FINISHES

WOODGRAINS, SOLID COLORS, BRUSHED FINISHES, INTERIOR FINISHES  
NON-STOCK COLORS AVAILABLE  
(ADDITIONAL LEAD TIMES)

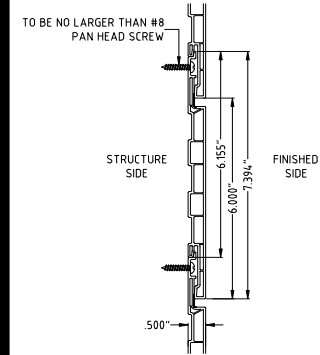


### TESTING

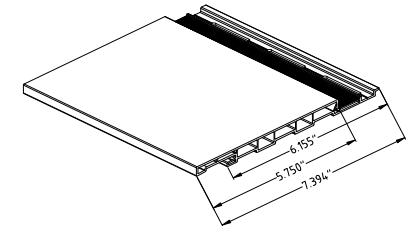
- CLASS A FIRE RATED
- ICCES-ESR
- ASTM D3679-17
- ASTM E119-22
- ASTM G154-16
- ASTM G155-21
- ASTM D635-18
- ASTM E330/E330-14
- PROCEDURE B Q50<0.85
- NFPA285-19
- NFPA268-17
- AAMA 303-19
- AAMA 307-16
- AAMA 664-21
- MIAMI DADE COUNTY, FLORIDA NOA. 23-1215.02
- MIAMI TAS 202 & 203
- TDI EC-149
- FLORIDA FL45923-R1 (DBPR)
- WILDLAND URBAN INTERFACE (WUI) 8140-2381:0001

### CHAMCLAD ADVANTAGE

- 50 YEAR WARRANTY (15 YEARS NON-PRORATED)
- CONTRIBUTES TO LEED CERTIFICATION
- SCRATCH & GRAFFITI RESISTANT
- SUPERIOR UV PROTECTION
- LOW MAINTENANCE & HIGH IMPACT RESISTANCE
- CANADIAN MANUFACTURED FROM 100% RECYCLED RIGID PVC
- U.S. STOCKING & DISTRIBUTION

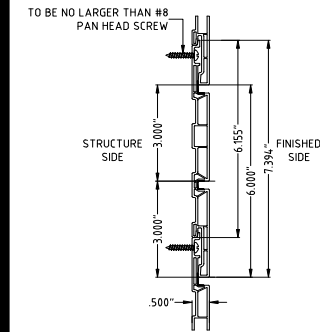


6" Panel with a full 6" reveal

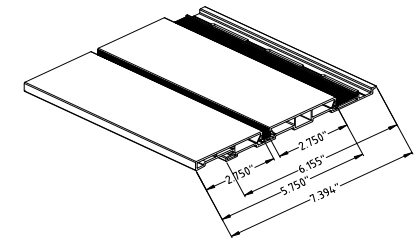


PERSPECTIVE

6" SHADOWLINE PROFILE STACKER SYSTEM INSTALLATION

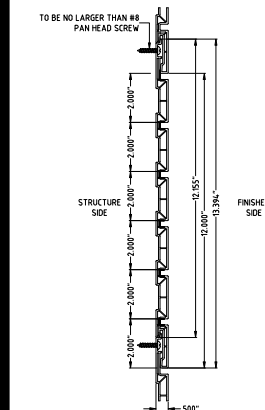


6" Panel with 2 x 3" reveals

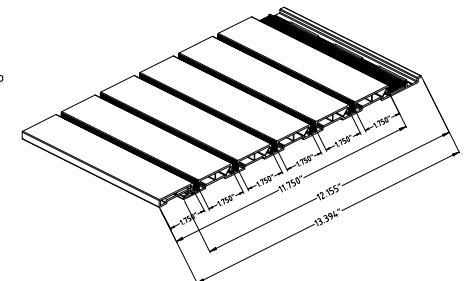


PERSPECTIVE

6" PANEL WITH 3" SHADOWLINE PROFILE STACKER SYSTEM INSTALLATION



12" Panel with 6 x 2" reveals



12" PANEL WITH 6" SHADOWLINE PROFILE STACKER SYSTEM INSTALLATION

