

Installation Manual

ChamClad®

CCMC 14323-R

ICCES ESR 4560



Revised: July 30th , 2024

Supersedes March 26th , 2024.

Table of Contents

Table of Contents	1
Before you Begin	2
First Steps for Successful Installation	3-4
Best Practices, Recommended Fasteners and General Installation	5 - 8
Expansion/Contraction & Gap Guide	9 - 11
ChamClad® Exterior Architectural Products	12 - 20
Exterior Horizontal Wall Panel Installation	21 - 22
Exterior Vertical Wall Panel Installation	23-24
Exterior Soffit and Fascia Installation	25-28
ChamClad® Interior Architectural Products	29-31
Horizontal Interior Installation	32
Interior Vertical Installation	33
Interior Ceiling Installation	34
Column and Beam Wrap Installation	35- 42
Assembly Drawings	43 - 59
Care and Maintenance	60
Installation Tips - At a glance	61 - 64
Glossary	65-68

QR CODE- For Install Videos on Both Soffit and Wall.



BEFORE YOU BEGIN

1. Read the install instructions *completely*. These installation instructions illustrate the “Best Practices” to install ChamClad® cladding and trim.

ChamClad® does not accept any liability or responsibility under their written warranty for product failure caused by improper installation.

2. To ensure you are up to date with the most recent install instructions, please visit our website <https://ChamClad.com> and view manual in conjunction with the technical bulletin advisory.
3. Our research and development team are committed to improving product durability and performance. As a result, specifications may change from time to time. Please check our website for updated technical information and profile drawings.
4. No one can anticipate all questions or conditions which may arise during installation. This Installation Manual is focused on methods, tools, and techniques used for a typical install. Should you encounter something not covered in this manual, please contact ChamClad® customer service by email. insidesales@chamclad.com
5. Occasionally you may come across minor irregularities that happen naturally during the manufacturing process. This occurrence will not affect the aesthetics and performance of the product.



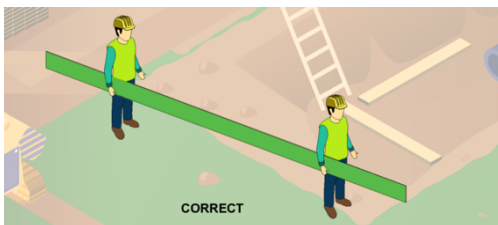
First Steps for a Successful Installation

1. Inspect all material for any breakage, defects, damage, and colour before installing. Do not install product that is questionable. Contact ChamClad® customer service or your dealer for assistance. Installing defective material may void your product Warranty.
2. Before installing ChamClad® cladding it is very important that installers read and understand the installation recommendations and topics covered in this manual.

ChamClad® Transportation, Proper Handling, and Storage

When transporting ChamClad® products, keep bags flat. The boards must be supported along the full length. Whenever possible avoid using metal banding. Metal banding will cut into the boards if pulled too tight. **Materials are required to be inspected for any accidental damage within 7 days of receipt, recorded on the Bill of Lading, and forwarded to info@ChamClad.com.** ChamClad® warranty may be voided if damaged product is installed on the wall without prior inspection by the installer.

Proper Handling and Storage



Always carry ChamClad® cladding by holding it by the narrow edge and pick boards up in the center. ChamClad® pallets should not be stacked more than 2 pallets high and always stored on a flat surface.

Storage of ChamClad®

Products must be on a flat surface which supports the entire length of the boards and should be kept dry & out of direct sunlight (when possible). Do not store or place on asphalt or in areas prone to excessive heat buildup. Cover with a tarp leaving ends open to allow for airflow. Store away from areas where there may be falling objects or construction debris that could cause damage. If stacking product, please ensure it is stable.

ChamClad® packaging is vented to limit the greenhouse effect. Do NOT store uninstalled panels in areas of excessive heat prior to installation; doing so may lead to product distortion.

Note: It is important that product is not stored for long periods where temperatures could exceed 30 degrees Celsius (86 degrees Fahrenheit).

Cutting and Tools

POWER TOOLS AND HAND TOOLS



- Always ensure you wear proper, appropriate and standard PPE's when performing cutting and installation.
- If using a circular saw, cut cladding face down on a clean surface.
- If using a cut-off saw, cut face up
- Carbide-tipped blades with 84+ teeth are recommended. (Aluminum blades are optimal)
- Do not score or snap ChamClad® exterior cladding
- Do not cut ChamClad® with coarse saw blade to avoid chipping or damaging the panel

BEST PRACTICES GUIDE

INTRODUCTION

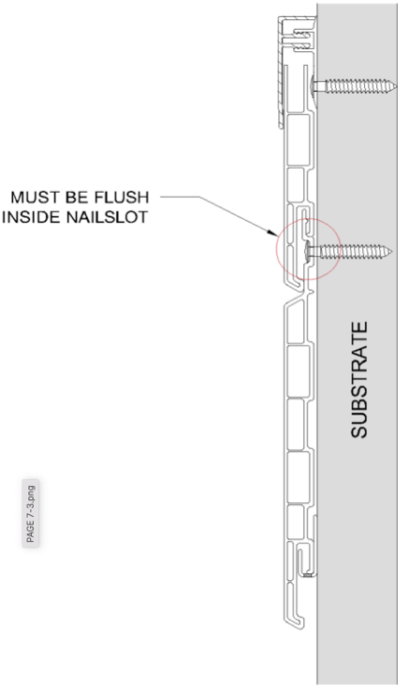
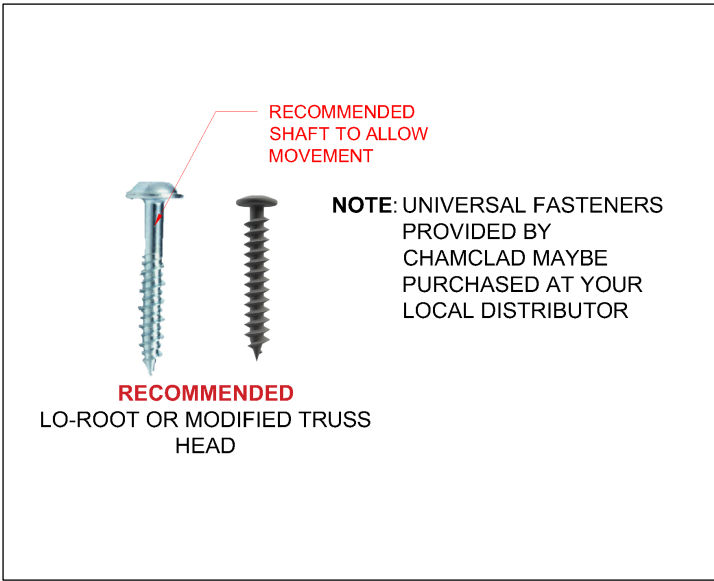
These installation instructions illustrate the “Best Practices” to install ChamClad® cladding, and trim. ChamClad® does not accept any liability or responsibility under their written warranty for product failure caused by improper installation.

It is the responsibility of the installer to observe the requirements of the local Building Code as they relate to installation in any given area. Most Building Codes are derived from National Building Codes. In Canada, the primary model is the National Building Code (NBC), which is published by the National Research Council of Canada (www.nrc-cnrc.gc.ca). In the United States, the primary model is based on the International Building Code (IBC), which produces the International Residential Building Code (IRC).

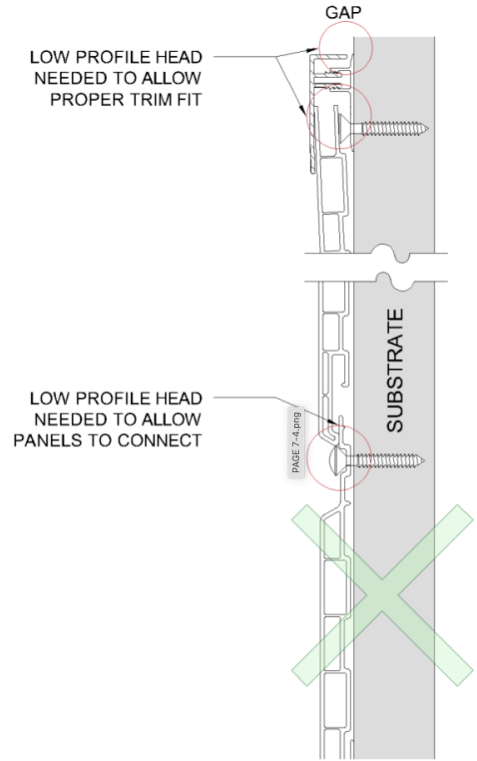
It is the responsibility of the builder or contractor, to understand the local code and how it pertains to the location where ChamClad® is being installed.

GENERAL INSTALLATION REQUIREMENTS

Fasteners



CORRECT INSTALL



INCORRECT INSTALL

Fastener Size is critical to a successful ChamClad® installation; we recommend the following:

Screws: It is strongly recommended to use ChamClad® universal self-tapping screws which are available from your local distributor or directly from ChamClad®.

The fasteners must penetrate the wall to a minimum depth of 1 ¼” and allow for the expansion and contraction of the ChamClad® products. If using metal furring strips, use of self-drilling screw is recommended (Modified truss quadrex coarse thread self-drilling screw #8-18 X 1 ½”). You must pre-drill pilot holes when using ChamClad’s universal self-tapping screws, when screwing into metal.

If ChamClad® fasteners unavailable, use low profile, corrosion resistant or stainless-steel screws long enough to fasten through the pre-punched flange. Do not use electroplated fasteners. It is important that the fastener head can fit inside the nailing slot. Fastener heads that protrude outside of the nailing slot will hinder ChamClad® tongue and groove locking mechanism.



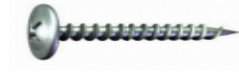
ChamClad® Universal Screw

#8 quad-drive 1 ½”
Self-tapping screw with 1/8”
threadless shaft

Examples of alternate screws:



Exterior Wall
17 Self tapping
Round Washer Lo-root
#8 1 1/2"



**Modified Truss Quadrex Coarse
Thread Screw Self-Drilling**
#8 – 18 X 1 1/2"

Note: DO NOT USE a stapler, or nail gun for exterior cladding and soffit panel installation. GLUE IS NOT to be used to fasten strapping or ChamClad® exterior wall boards.

Random ChamClad® Panel Pattern

ChamClad® wall panels are laminated with a repeating pattern (48"). ChamClad® makes every effort to ensure the patterns are mixed in each bag to minimize repeat patterns. It is suggested to randomly check panels at the job site for repeat patterns and adjust as required. To avoid excessive repetition when cutting boards 4' or less, use 2 boards with different patterns.

Classic Panel (1 Panel, 2 Looks)

ChamClad® offers a simple tongue and groove system with the product stacking from the bottom up. For a U-Channel profile, insert to the first stop. For a V-Groove profile, take a non-marking rubber mallet and tap to the next stop. Does not apply for Shadow Line Panel.

Air Barrier/ Rainscreen

ChamClad® exterior wall panels can be installed over many weathers resistant sheet membranes. It is recommended as per CCMC/ ICCES that 6" exterior claddings are installed on an air barrier/ rainscreen. ChamClad® panels may be installed over wood furring strips (min. 1/2"), galvanized steel z-girt (min. 20 ga.) or a continuous 3-dimensional membrane such as home slicker, as per Building Code requirements. ChamClad® exterior claddings must be fastened every 16-24" O.C. to strapping.

Wall Flashings and Penetrations

Windows, doors, and utility penetrations must be flashed and trimmed properly. It is the responsibility of the installer/designer/builder to ensure it is done to local codes and best industry practice. If sealants are required, ChamClad® recommends ASTM 920 Elastomeric Joint Sealants (e.g., [Tremco Spectrum 2](#)).

2pc Trim - Vertical Installation

When installing 2pc trims vertically (2pc Outside Corner, 2pc J Trim, 2pc H-Trim), in order to prevent downward migration, it is recommended to fasten the base trim at the highest point of the nail slot with all other fasteners located in the centre of the remaining slots (every 8-12”).

Before applying the top cap, it is recommended to add a small dab of sealant (1”) between the teeth at the top and bottom of the base trim. This is especially important around doors and windows where you are not completing a full perimeter wrap.

Compatibility

ChamClad® products are not compatible with asphalt or products containing asphalt. Do not store bags on asphalt (i.e., driveways or roads) as panels and asphalt should not be in contact with each other. Asphalt, if brought into contact with ChamClad® will leach into the panels and possibly weaken or discolour the product. If ChamClad® products come into contact with asphalt, clean the ChamClad® product immediately with a non-solvent cleaning product.

Temperature Changes & Expansion/Contraction

It is important to remember that ChamClad® materials will expand and contract with regular temperature changes. ChamClad® trims allow for any variance in panel lengths due to expansion/contraction.

When placing fasteners in the center of the designated nail slots, always leave a 1/32" gap between the fastener head and nail flange to allow ChamClad® panels expand/contract as needed.

The below guide provides expansion/contraction examples based on different panel lengths and temperature fluctuations.

Expansion Guide (by temperature shift)

Temperature Change in °Celsius and Fahrenheit		Length of Panel (feet)			
		12'	20'	30'	35'
10	50	0.10	0.17	0.25	0.29
20	68	0.20	0.34	0.50	0.59
30	86	0.30	0.50	0.75	0.88
40	104	0.40	0.67	1.01	1.17
50	122	0.50	0.84	1.26	1.47
60	(Optimal Gap) 140	0.60	1.01	1.51	1.76
70	158	0.70	1.17	1.76	2.05
80	176	0.80	1.34	2.01	2.35
ChamClad® 's Coefficient of Linear Expansion (CLE): 0.0000698		Total Expansion/Contraction Per Panel (inches)			

Temperature Shift Example using ChamClad® products.

The change in length of any material because of expansion and contraction is dependent on 3 factors:

1. The Coefficient of Linear Expansion (CLE) of the material.
For ChamClad® Panels, the CLE is 0.0000698 in/in/°C.
2. The original length of the material at time of cut
3. The net change in temperature

Change in length (inches) = (Original Length in inches) x (Temperature Change in °C) x (CLE in in/in/C units)

If there is a 12' (144") ChamClad® length that goes from 20°C (68°F) to 0°C (32°F), it will contract, theoretically, by this amount:

$$144 \times 20 \times 0.0000698 = 0.20'' \text{ or } 7/32''$$

For example, if installed in 20°C (68°F), the final length of a 144" long ChamClad® panel at 0°C (32°F) would become 143.80."

When temperatures return to 20°C (68°F), it is expected that the PVC material will expand and return to 144" in length.

General Rules

Based on a temperature change of 40°C (104°F), for example: 0°C (32°F) in cooler months and reaching 40°C (104°F) in warmer months:

For panel lengths up to 20' leave a 1/2" gap per side; 20' or longer leave a 3/4" gap per side and use larger faced trims (3.5" 2pc Finish Trim, 3.5" 2pc Outside Corner, larger faced H-Trim).

It is imperative that ChamClad® panels are cut to fit the coverage of trim pieces.

The temperature the day of installation factors into the expansion and contraction gap you leave. If installing on a cooler day allow for more expansion and a larger gap, if installing on a warmer day allow for less expansion and a smaller gap. The below guide provides recommended spacing based on temperature and Panel Length.

Recommend Gap Allowance Temperature Guide

OUTSIDE TEMPERATURE		GAP PER SIDE (Gap in inches)					
F	C	10	12	16	20	25	30
-4	-20	3/8	7/16	9/16	11/16	13/16	1
14	-10	3/8	3/8	1/2	5/8	3/4	7/8
32	0	5/16	3/8	7/16	1/2	5/8	3/4
50	10	1/4	5/16	3/8	7/16	1/2	5/8
68	20	1/4	1/4	5/16	3/8	7/16	1/2
86	30	3/16	3/16	1/4	1/4	5/16	3/8
104	40	1/8	1/8	3/16	3/16	3/16	1/4

Guide Lines

- Take into consideration the temperature on date of installation and season you are installing in.
- Installation in weather colder than -10°C (14°F) is not recommended due to potential chipping or cracking of the panels. Should that occur warranty may be voided.
- Generally speaking, in the colder months, leave a gap of $\frac{1}{2}''$ for panels up to 20' and $\frac{3}{4}''$ for panels over 20'. It is recommended to use the large faced trims to allow for appropriate expansion and contraction.
 - **Example: When installing at -10°C (14°F) leave a gap of $\frac{5}{8}''$ for 20' panels; $\frac{1}{2}''$ for 16' panels and $\frac{3}{8}''$ for 12' panels.**
- In the warmer months, leave a gap of $\frac{3}{8}''$ for panels up to 20' and $\frac{1}{2}''$ for panels over 20'.
 - **Example: When installing at 20°C (68°F) leave a gap of $\frac{3}{8}''$ for 20' panels; $\frac{5}{16}''$ for 16' panels and $\frac{1}{4}''$ for 12' panels.**

It is important to acclimate panels and accessories for a minimum of 24 hours prior to installation.



CHAMCLAD®

EXTERIOR

WALL, SOFFIT, HORIZONTAL, VERTICAL



CHAMCLAD® EXTERIOR ARCHITECTURAL WALL PANELS

CHAMCLAD PANEL PROFILE



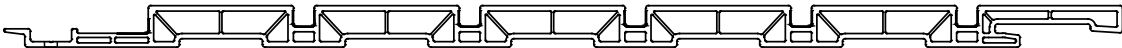
6" CLASSIC EXTERIOR WALL PANEL



6" SHADOWLINE EXTERIOR WALL PANEL



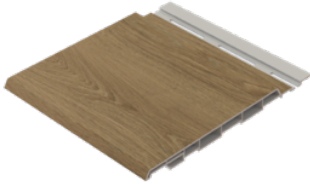
6" SHADOWLINE EXTERIOR W/ 3" REVEAL



12" SHADOWLINE EXTERIOR W/ 2" REVEAL

6" Classic Wall Panel and Shadowline Series

*Panels may be used in exterior soffit (venting by others), interior wall and ceiling



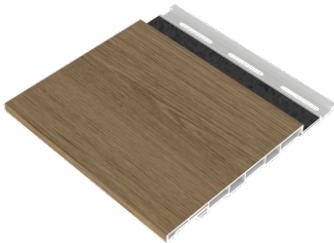
6" Classic Wall Panel 1/2"



6" CLASSIC EXTERIOR WALL PANEL



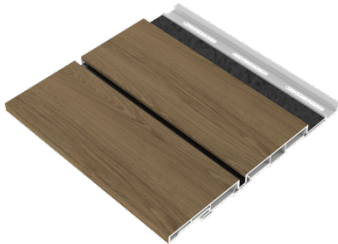
Classic Panel is one panel that offers two looks!
U Channel & V Groove



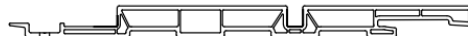
6" Shadowline Wall Panel 1/2"



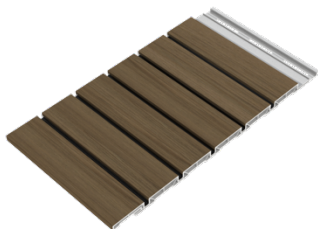
6" SHADOWLINE EXTERIOR WALL PANEL



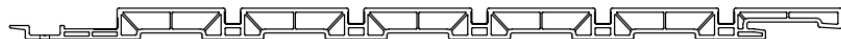
6" Shadowline with 3" Reveal Wall Panel 1/2"



6" SHADOWLINE EXTERIOR W/ 3" REVEAL

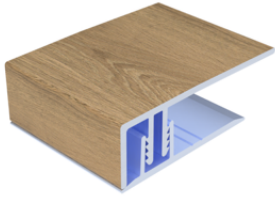


12" Shadowline with 2" Reveal Wall Panel 1/2"



12" SHADOWLINE EXTERIOR W/ 2" REVEAL

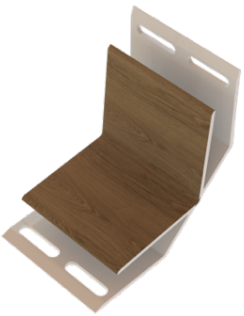
CHAMCLAD® Exterior Wall Trims



*2pc 2" J Trim
12' & 20'



*2pc 3.5" Finish Trim
12' & 20'



Inside Corner Trim
10', 12', & 20'



*2pc 2" Outside Corner Trim
10' & 20'



*2pc 3.5" Outside Corner Trim
10' & 20'



Starter Strip
12', 16', & 20'



2pc 2.75" Aluminum H-Trim
12' & 20'



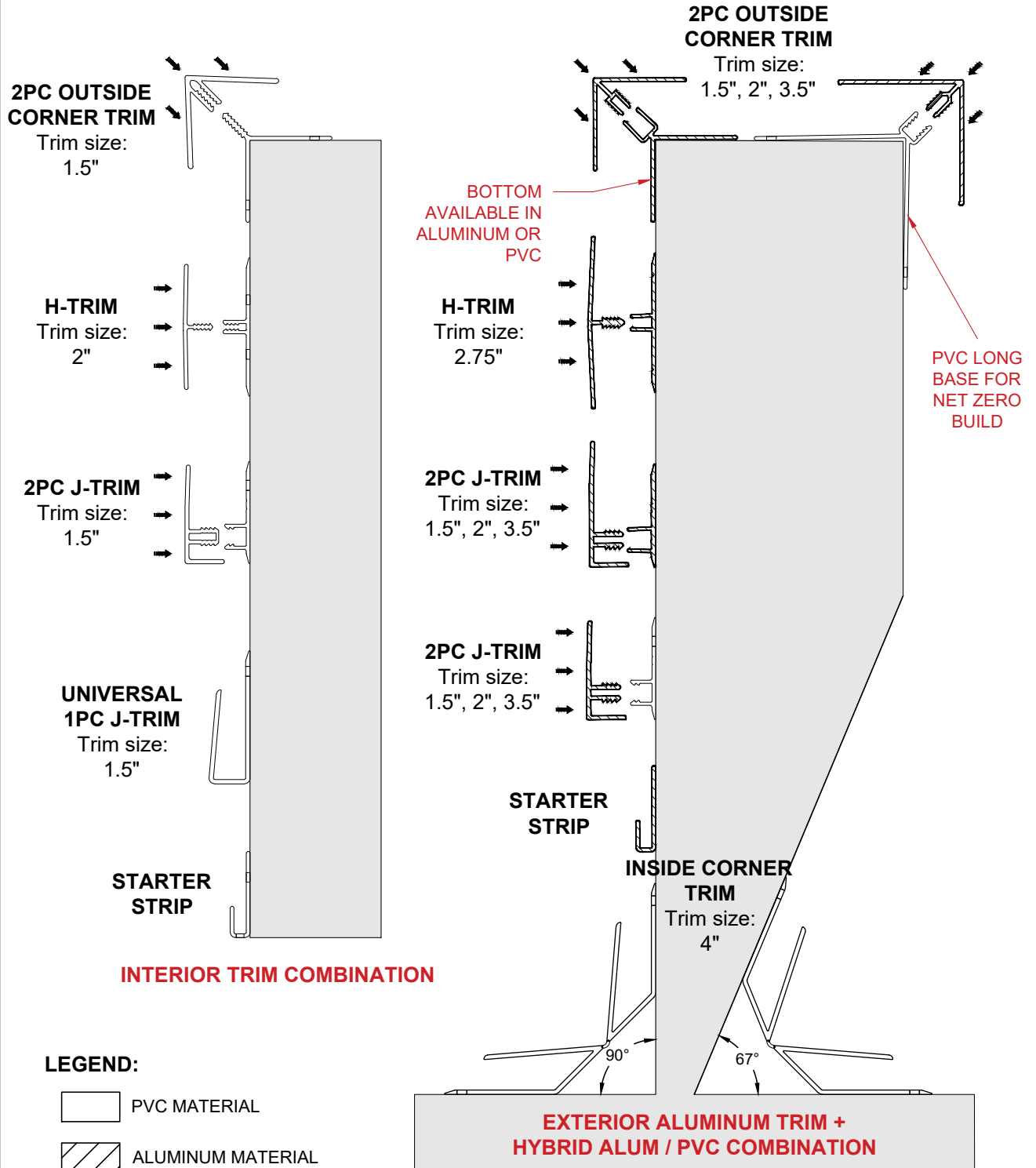
PVC Universal J Trim (1 pc)
12' & 20'

*THESE TRIMS ARE AVAILABLE IN ALL ALUMINUM OR HYBRID COMBINATIONS

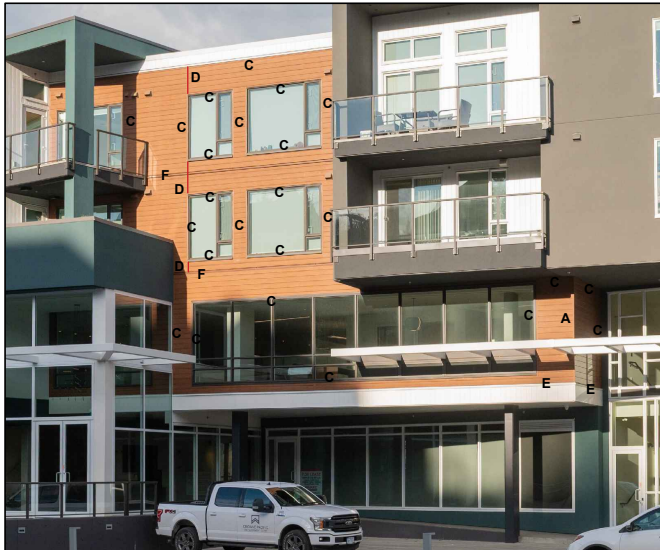
TRIM CONFIGURATION

STEPS - Install all bottom trims first, then panels, lastly finish the perimeter with topcaps.

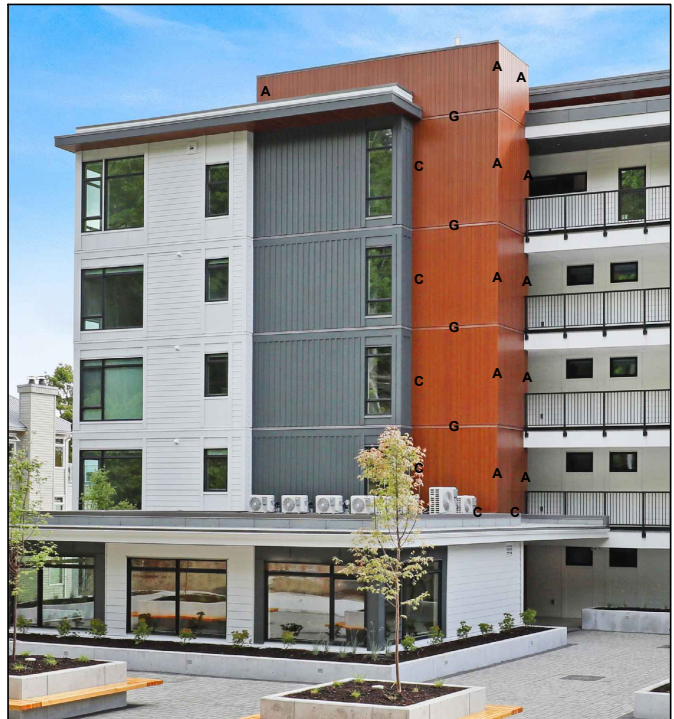
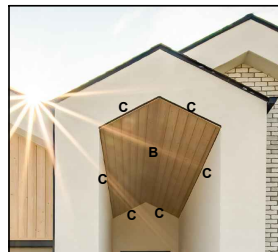
NOTE: Use a non marking rubber mallet or hammer & block if required



PANEL & TRIM APPLICATION

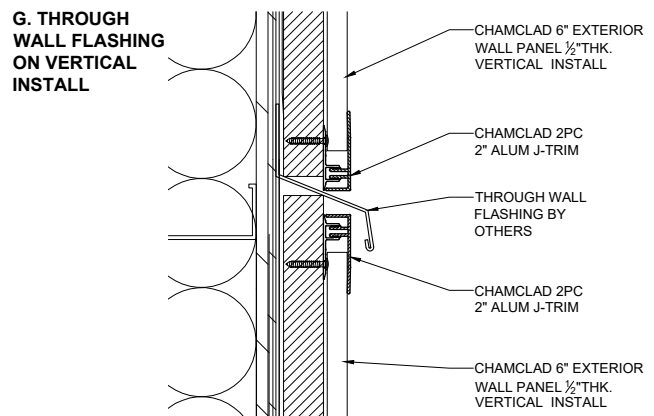
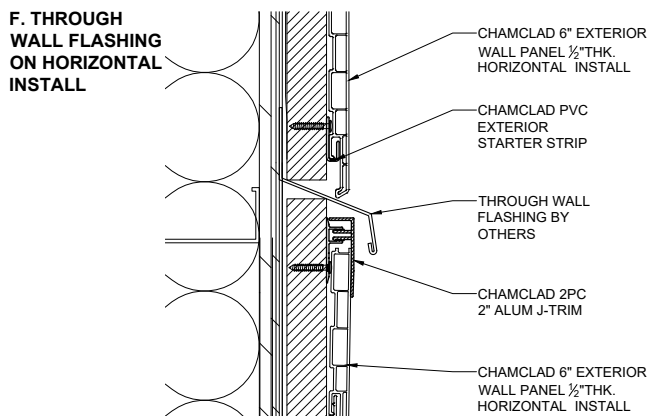


HORIZONTAL INSTALL

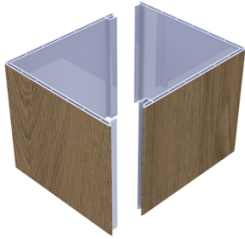


VERTICAL INSTALL

- A. OUTSIDE CORNER TRIM** - LOCATION: OUTSIDE CORNERS OF INSTALLATION AREA.
DETAILS: 2" & 3.5" OUTSIDE CORNER FOR HORIZONTAL OR VERTICAL APPLICATION. 3.5" RECOMMENDED FOR LENGTHS OVER 24ft.
- B. INSIDE CORNER TRIM** - LOCATION: INSIDE CORNERS, CEILING PEAKS AND CURVED WALLS.
DETAILS: A FLEXIBLE PVC WITH 180° ANGLE, FOR EXTERIOR, INTERIOR WALL AND CEILING. HORIZONTAL AND VERTICAL APPLICATION.
- C. 2PC J-TRIM** - LOCATION: OUTER EDGES, WINDOW AND DOOR TRIM ALONG GABLE END WALLS, FLOOR AND CEILING.
DETAILS: 2" & 3.5" J-TRIM FOR HORIZONTAL, VERTICAL APPLICATION AND TERMINATING WALLS. 3.5" RECOMMENDED FOR LENGTHS OVER 24ft., MITER CUT ENDS FOR CLEAN FINISH.
- D. 2PC H-TRIM** - LOCATION: TO JOIN PANELS TOGETHER, **BUTT JOINTS NOT ALLOWED**.
DETAILS: 2.75" ALUM H-TRIM FOR HORIZONTAL, VERTICAL, WALL AND SOFFIT APPLICATION. 2" PVC FOR SOFFIT AND INTERIOR APPLICATION ONLY.
- E. STARTER STRIP** - LOCATION: TO START PANEL ON A HORIZONTAL APPLICATION & FOR CENTER WALL BACK TO BACK FOR VERTICAL INSTALL FOR EQUAL WIDTH ENDS.
DETAILS: ALUMINUM MUST BE DRILLED FOR DRAINAGE HOLE. PVC AVAILABLE WITH PRE DRILLED HOLES.
- F & G. THROUGHWALL FLASHING** - LOCATION: COMPRESSION JOINTS ON FLOOR ELEVATIONS.
DETAILS: USED FOR MOVEMENT IN BUILDING SETTING BETWEEN FLOORS, EXPANSION AND CONTRACTION.



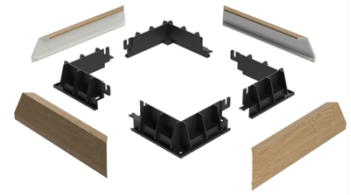
COLUMN AND BEAM WRAPS



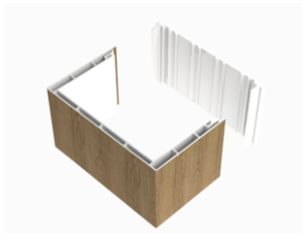
7" 2pc Column Wrap



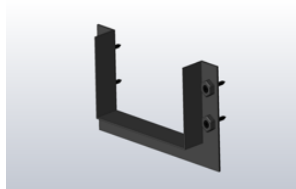
1" x 4" Architectural Trim



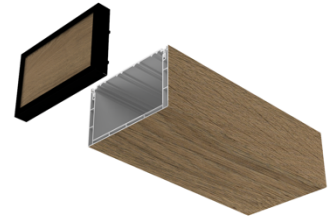
Quick Click Column Cap and Base Trim
Available in 7", 8", 10", and 12"



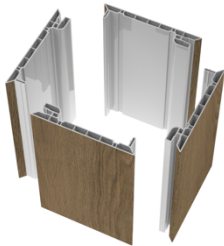
2pc Beam 5.5" x 3.35"



Beam Bracket



Beam End Cap



4pc Quick Click Column and Beam Wrap
Available in 8", 10", and 12"
New Summer 2024

ACCESSORIES



Spray Bombs

Colour matched Spray Paint.

Recommended for use with the Column Wrap Trims or any larger surface areas.

ChamClad® Universal Screw

#8 quad-drive 1 ½"

Self-tapping screw with 1/8" threadless shaft



Touch Up Pens



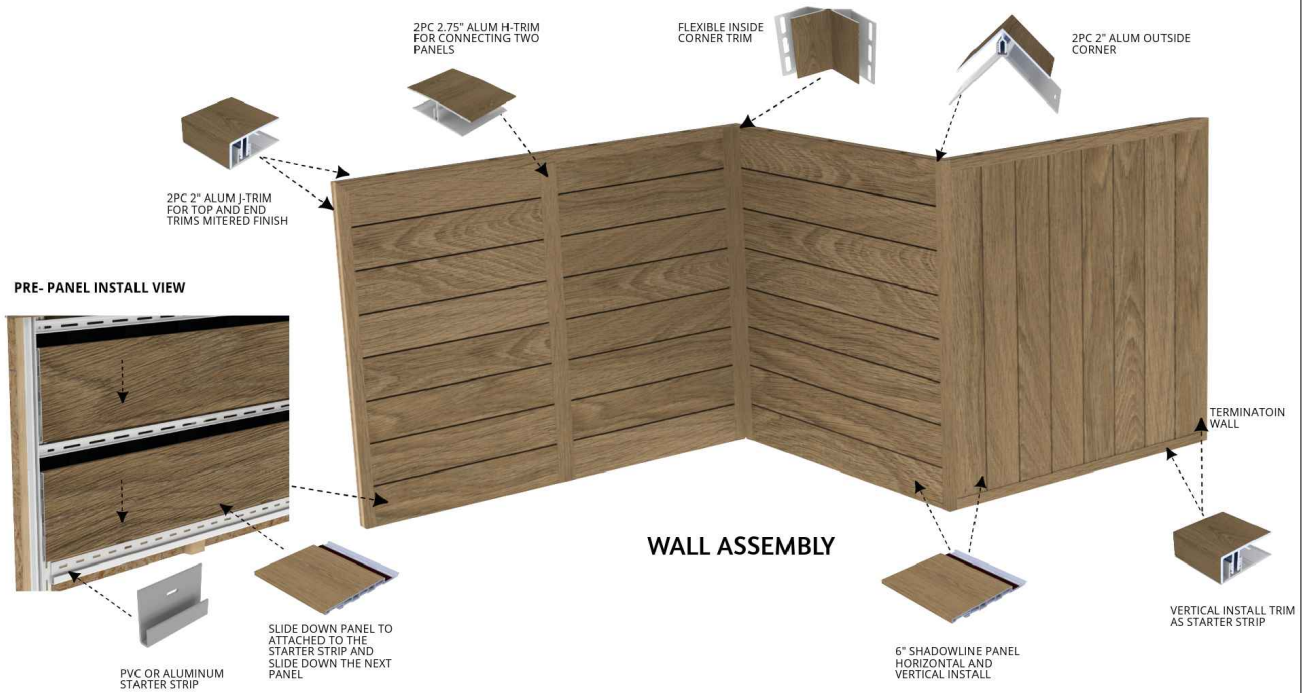
PREPARATION: The areas to be touched up must be dry and free from dust, dirt, and grease. Before each use, shake Pen for approximately 30 seconds. Rattle of mixing balls must clearly be heard.

DE-AERATION: Due to exterior influences (heat) an overpressure may develop. To prevent blotching, the pen must be de-aerated. Put pen with tip pointing downwards onto a solid, non-soaking surface and press down – hold for 2 seconds, release and repeat procedure until tip is filled with touch- up (7-10 times may be necessary).

APPLICATION: Touch down pen tip at a flat angle (about 45 degrees) using light pressure. The valve opens and touch-up flows continuously. With the new designed tip, you can work precisely on hard-to- reach areas. Different stroke widths can be easily applied. Touch up rapidly with one stroke using light pressure. **Important: Do not apply another coat of touch up until first coat has dried (approximately 3-5 minutes).** If opacity decreases, shake pen again and de-aerate as described above. If touch-up flow decreases, simply pump again. Put cap on immediately after use – cap has to snap with a “click”. Over time, tip may become blocked with pigment sediments. If this occurs, replace tip with a new one, shake Pen well and repump.

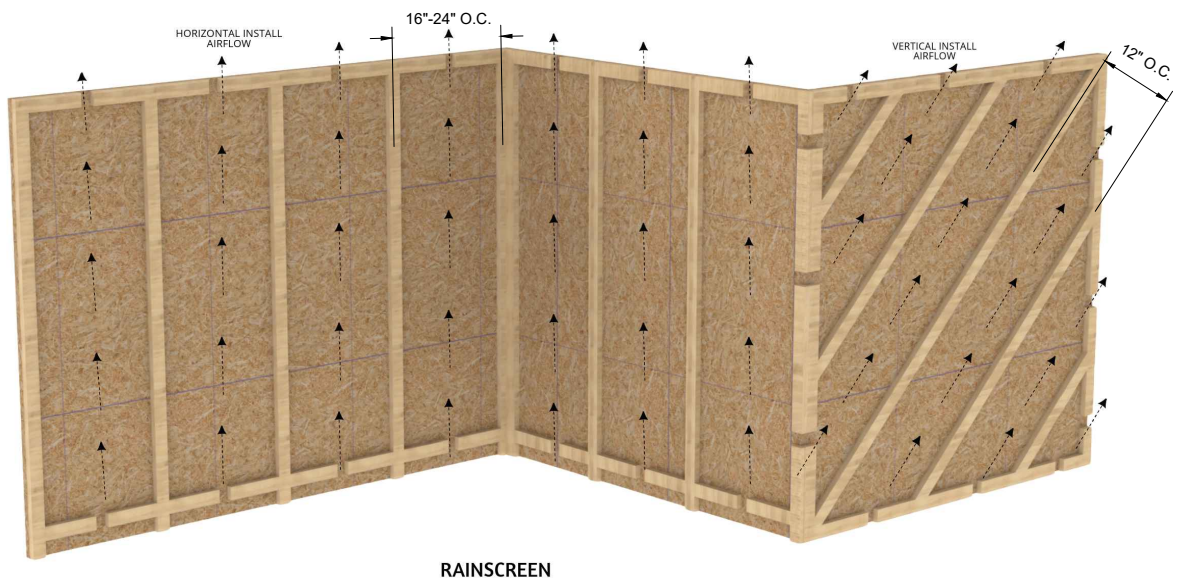
***Do not let pens freeze**

WALL & RAINSCREEN ASSEMBLY



TRIMS - All bottoms are installed first on the whole perimeter, panels then trim caps.

WALL ASSEMBLY - Panels maybe installed horizontal or vertical over a rainscreen system.



RAINSCREEN ASSEMBLY - We strongly suggest to use rainscreen method when installing CHAMCLAD products, having a proper airflow is important.

EXTERIOR HORIZONTAL WALL PANEL INSTALLATION

6" Classic and Shadowline Series

(See assembly drawings listing on page 39)

- Acclimate panels and accessories for a minimum of 24 hours prior to installation. With each course of ChamClad® panels, proper gaps must be left between the end of the wall panel and the track of the base trims for expansion and contraction.
 - **Refer to the gap allowance temperature guide chart on page 10 before beginning.**
- Use a level to produce a guideline around the entire building and mark with a chalk line. Snap line where the starter strip will be installed.
- When installing air barrier/ rainscreen, use either furring/strapping (16-24" O.C.) or steel furring/strapping every (16-24" O.C.) vertically across the wall or a continuous 3-dimensional membrane (homeslicker)
- Install a ChamClad® Starter Strip fastening every 12" (1/32" gap from fastener head to nail flange to allow for horizontal expansion and contraction). Install panel 2" above grade or ½" above concrete (set Starter Strip accordingly) following local building codes.
- Install flashing and trim bases around windows, doors, utility box fixtures, and all other penetrations through the wall cladding. We recommend all ChamClad® accessories be fastened every 8-12" (8" in high heat or wind exposure areas). It is common industry practice to align all vertical and horizontal trims on the same wall to ensure a visually clean look.
- Fasten all panels 16-24" O.C. starting within 4" from both ends of panel. Ensure that screws are placed in the middle of the nail slots to allow for proper expansion and contraction. For panels over 24' - Pin Panel at centre of nailing fin and not in nailing slots to equalize expansion and contraction.
- Begin installing your bottom courses of ChamClad® wall panels using ChamClad® Universal screws. **When installing panel lengths 20' and over, it is recommended to use the large, faced trims to allow for appropriate expansion and contraction.** Check every three or four courses to ensure that ChamClad® wall panels are level and that adjacent panels are aligned horizontally.
- Except where designated in this manual, fasteners must be placed in and through the **center** of the nail slot. The fastener must be installed straight and not at any angles. The head of the screw or crown should allow for the thickness of a dime (roughly 1/32") behind the face of the mounting hem to allow for expansion and contraction of the ChamClad® panels.

- If you need to apply a fastener in a section that does not have a manufacturer's pre-drilled hole, you **MUST** pre-drill a nail slot to allow the panel to expand and contract without restriction. (Nail slot punch may be used).
- Application of all 2pc trim top caps is the last step to completing a ChamClad® panel installation. Ensure not to overdrive the trim tops to the point where panels can no longer expand and contract due to tightness.
- ChamClad® exterior panels may be used in beam, post, or column wrap applications. When installing horizontally begin with installation of the bases of the 2pc Outside Corner on all corners. Continue with installing starter strip between corners at the base and 2pc J Trim between the corners at the top. Install all courses of ChamClad® panels and complete with the installation of the 2pc Corner Cap and the 2pc J trim cap along the top. Refer to assembly drawing listing on page 39 .

Notes:

- It is recommended as per CCMC/ ICCES that 6" exterior cladding be installed on an air barrier/ rainscreen (recommended size is ¾" thickness X 1 ½" width). Contact insidesales@chamclad.com for additional rainscreen alternate solutions.
- DO NOT BUTT JOIN WALL BOARDS – you **MUST** use an H-Trim. Leave a proper gap inside the H-Trim to allow for expansion and contraction (refer to gap allowance temperature chart on page 10). Do not install the H-Trim top cap until all wall panel courses are up.
- Generally speaking, in the colder months, leave a gap of ½" for panels up to 20' and ¾" for panels over 20'. It is recommended to use the large, faced trims to allow for appropriate expansion and contraction. In the warmer months, leave a gap of 3/8" for panels up to 20' and ½" for panels over 20'. Refer to gap allowance temperature chart on page 10.
- Installation in weather colder than -10°C (14°F) is not recommended due to potential chipping or cracking of the panels. Should that occur warranty may be voided.
- When installing final top horizontal panel, trimming the full length of the panel at a 45-degree angle may ease installation of last panel. Oversized nail slots must be added manually.
- Steel stud framing, associated sub girts and fasteners to be installed as designated by the appropriate design professional OR must be a minimum of 20 gauge or lower and installed 16-24" O.C.
- **Note: DO NOT USE a stapler, or nail gun for exterior cladding and soffit panel installation**
- **Note: GLUE IS NOT to be used to fasten strapping or ChamClad® exterior wall board**

EXTERIOR VERTICAL WALL PANEL INSTALLATION

6" Classic and Shadowline Series

(See assembly drawings listings on page 39)

- To install vertical cladding, position strapping horizontally or diagonally (at a 45° angle) with 12" O.C. If horizontal, leave 2" gaps between straps every 3'-4' to allow any envelope moisture to escape. A continuous, 3-dimensional membrane with a vertical drainage cavity may also be used as a rainscreen (i.e., Homeslicker and follow manufacturers recommended install procedures). Always check and follow local Building Codes.
- Snap a level chalk line around the base of the building and install universal J Trim/2 pc J Trim that will act as a starter strip, fastening every 8 - 12". When using a 1 pc Universal J trim, prior to install, drill 3/16" weep holes in bottom of universal J Trim 4" from ends and every 18"-24" to allow for drainage.
- Determine the center of the wall and install 2 starter strips back-to-back (spaced 1 7/8" apart) and 1" above the universal J Trim, fastening every 12". Ensure proper vertical backing is behind starter strips. (See drawing #CD.10 on page 43)
- Continue installing bases of all 2pc. Outside Corners, H-Trims and 2 pc J trims, fastening every 12". **Please note all 2 pc trims require solid backing.** We recommend all ChamClad® vertical panels and accessories be fastened every 12".
- Begin panel installation by positioning first panels into starter strips (working outward from wall center in both directions). It is good practice to fasten at the highest point of the nail slot at the top of each panel to limit downward migration. Balance of screws to be fastened in the center of nail slots and should allow for the thickness of a dime (1/32") between the screw head and the face of the nail slot.
- To complete the install, apply the top caps of all 2pc. trims using a non-marking rubber mallet tapping gently until it locks in place. Do not over drive the trim top cap to the point where the panels can no longer expand and contract due to tightness.
- ChamClad® exterior panels may be used in a post or column wrap application. When installing in a vertical orientation, begin by installing all bases of 2pc Outside Corners on all corners. Continue with installing 1pc Universal J Trim or 2pc J trims between the Outside Corners at the base (punched with weep holes if required) and 2pc J Trim between the corners at the top. Measure column width and trim panels evenly to distribute across the column face with equal panel widths or use two starter strips installed back-to-back vertically in the center of the column and install panels outwards from the center. Fasten all panels at the highest point of the nail slot at the top of each

panel to limit downward migration. To complete install, apply top cap of the 2pc outside corner and the 2pc J trim cap along the top. Avoid over hammering the 2pc trim caps so panels can freely move during expansion and contraction. (Refer to vertical column assembly drawings on page 46)

- In addition to using panels in a post, beam, or column wrap application, ChamClad® offers a 7" Column Wrap 2pc. The innovative trim-less design results in clean lines, and an overall modern and precise appearance. It is environmentally friendly and easy to install over any wood or steel post; is extremely durable, UV protected, scratch and graffiti resistant. Refer to detailed installation instructions on pages 35 - 38.

NOTES:

- Attach vertical claddings and trims using ChamClad® Universal Screws. Screws must penetrate structural framing members.
- It is recommended as per CCMC/ ICCES that 6" exterior cladding be installed on an air barrier/ rainscreen (recommended size is ¾" thickness X 1 ½" width). Contact insidesales@chamclad.com for additional rainscreen alternate solutions.
- Install vertical exterior cladding to structural framing members when using non-structural sheathing, drywall, or foam. Install exterior cladding a minimum of 2" above finished grade or as per local building codes. Allow 1/2" above deck or concrete.
- At every floor level, it is recommended to break the installation through the use of a thru-wall flashing (supplied by others) or a ChamClad® H-Trim and restart following steps above. The first course of vertical cladding ends in the bottom of the H-Trim with the second course starting in the top of the H-Trim following the steps listed above. Always confirm local building code requirements.
- Except where designated in this manual, it is critical that fasteners are installed in the manufacturers pre-drilled holes. If you need to apply a fastener and it is in a section that does not have a manufacturers pre-drilled hole, you MUST pre-drill a nail slot (using a nail slot punch) to allow the panel to expand and contract without restriction.
- Generally speaking, in colder months, leave a gap of ½" for panels up to 20' and ¾" for panels over 20'. It is recommended to use the large, faced trims to allow for appropriate expansion and contraction. In the warmer months, leave a gap of 3/8" for panels up to 20' and ½" for panels over 20'. Refer to gap allowance chart on page 10.
- Installation in weather colder than -10 °C (14°F) is not recommended due to potential chipping or cracking of the panels. Should that occur warranty may be voided.
- Acclimate all panels and accessories for a minimum of 24 hours prior to installation.
 - **Note: DO NOT USE a stapler, or nail gun for exterior cladding and soffit panel installation**
 - **Note: GLUE IS NOT to be used to fasten strapping or ChamClad® exterior wall board.**

CHAMCLAD® EXTERIOR SOFFIT/FASCIA PRODUCTS

4", 6" and 12" Soffit Panel Series *



4" Solid Soffit Panel 3/8"



6" Solid Soffit Panel 3/8"



4" & 6" Vented Soffit Panel 3/8"

*6" Classic and Shadowline may be used in soffit application (venting supplied by others)

CHAMCLAD® Exterior Soffit Trims



*2pc 1.5" PVC Soffit J Trim
12' & 20'



*2PC 1.5" Outside Corner
12' & 20'



1.5" PVC Universal J Trim
12' & 20'



2pc 2" PVC H-Trim Soffit
12' & 20'



2pc 2.75" Aluminum H-Trim
12' & 20'

*THESE TRIMS ARE AVAILABLE IN ALL ALUMINUM, ALL PVC OR HYBRID COMBINATIONS

EXTERIOR SOFFIT INSTALLATION

4", 6" and 12" Seamless Soffit Panel Series (3/8")

(See assembly drawings listings on page 39)

- ChamClad® **solid soffit** panels are available in 4", 6" and 12". The 4" panels are available in 12' and 20' lengths, 6" panel in 9', 12', 14', 16', 20' and 30'. ChamClad® **Vented Panel 4"** is available in 12' & 20' lengths. The 6" Vented panel is available in 12', 16' and 20' lengths. **VENTING: Both vented and solid panels MUST be used during installation of ALL exterior soffit applications. This includes the underside of decks (with or without living spaces above), porch ceilings and typical perimeter soffit for attic ventilation (as required by code).**
- 6" X ½" Shadowline may be used in soffit application, non-vent or hidden vent available.
- Verify that soffit substrate is even and level across all surfaces. Applicators may need to install shims to achieve a consistent surface to attach the soffit panels to.
- Attach ChamClad® soffit panels at 12 - 16" using ChamClad® universal screws. If the eave span is greater than 16", additional blocking must be installed at 12-16" O.C.
- On exterior soffit installations maintain the proper expansion/contraction distance from the end of the board and the required accessory (universal J Trim, 2pc H-Trim or 2pc J trims - refer to refer to gap allowance chart on page 10).
- During the installation process, it is important that the soffit material is installed to freely allow expansion and contraction with changes in temperature. It is recommended to use ChamClad® universal screws. Please allow for a 1/32" gap from the fastener head to the nail flange. If installed without this allowance, ChamClad® soffit panels may warp or buckle. Due to our PVC's recycled composition, ChamClad® soffit will not swell if exposed to moisture.
- **Note: All 2pc trims require solid backing. All soffit applications require trims to be fastened at 8-12" O.C.**
- When installing vented soffit panels, it is recommended to alternate between solid and vented panels. Always begin installation with a solid soffit panel. First panel, you must rip down nose to tuck inside the 2 pc J trims and allow for a gap (refer to gap chart page 10). Do not forcefully press panels together during installation to avoid cupping; panels must be installed loosely to allow for movement. Do not over torque screws when installing soffit. When installing long lengths install from one side working your way down to avoid buckling. Confirm requirements with local building code.
- Depending on the design of the soffit, ChamClad® soffit panels may be installed parallel or perpendicular to the exterior walls. It is important that each panel be fastened at every joist or rafter every 12"-16" O.C. using ChamClad® Universal Screws. Install additional courses and check alignment to either side of the line. Check that proper gaps according to the typical weather conditions are maintained to allow for proper expansion/contraction.



Soffit – Parallel to Building



Soffit – Perpendicular to Building

- For both 6" and 4" x 12' vented soffit panels, the ventilation area is 13.25 in² per panel; for 20' vented soffit panels, the ventilation area is 22.08 in². ALWAYS reference **local** building code when calculating ventilation requirements.
Note: Adequate soffit ventilation is a necessity in all soffit applications , especially in the summer months. Excessive heat build-up can occur due to trapped air in the soffit cavity and results in higher soffit temperatures than outside air temperatures. All soffit applications must be vented.
- ChamClad® does not recommend installing products at -10°C (14°F)
- Allow the product to be acclimated for a minimum of 24 hours before install. Generally speaking, in colder months, leave a gap of ½" for panels up to 20' and ¾" for panels over 20'. It is recommended to use the large, faced trims to allow for appropriate expansion and contraction. In the warmer months, leave a gap of 3/8" for panels up to 20' and ½" for panels over 20'. Refer to gap allowance chart on page 10.
- Where more than one soffit length is needed, an H-Trim is required to cover the expansion/contraction gap. **DO NOT BUTT JOIN PANELS.**
Please note 2pc trims require solid backing and be fastened every 8-12" O.C.
- When installing Trims and Soffit panels, it is important to use low profile ChamClad® universal screws and fasten solid soffit and vented panels every 12"- 16" and all trims fastened every 8"-12".
In high wind or heat areas all soffit panels must be fastened 12" O.C.
- When installing final panel, trimming excess panel at a 45° angle at the full length of the panel may ease installation of last panel. Nail slots must be added manually.

NOTE: 4" and 6" X 3/8" soffit panels may NOT be used in exterior WALL application as improper use will VOID WARRANTY.

DO NOT install gas heaters into a soffit or ceiling application.

If planning to install infrared heaters, check with the Chamclad® engineering department to ensure compatibility with cladding.



CHAMCLAD INTERIOR

WALL, CEILINGS, HORIZONTAL, VERTICAL



INTERIOR WALL AND CEILING CLADDING

4" & 6" V GROOVE/U CHANNEL AND 12" SEAMLESS PANELS



4" Interior Wall & Ceiling
Panels 3/8"



6" Interior Wall & Ceiling
Panels 3/8"



12" Interior Wall & Ceiling
Panels Seamless Panel 3/8"

NOTE: 4" & 6" panels available in V-Groove and U-Channel profiles

*6" Classic and Shadowline may be used in interior wall and ceiling applications

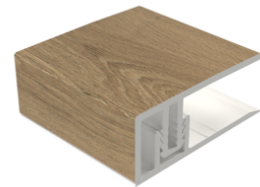
Interior Wall and Ceiling PVC Trims



1pc PVC Inside Corner Trim
10', 12', & 20'



2pc 1.5" PVC Outside Corner Trim
12' & 20'



2pc 1.5" PVC J Trim
12' & 20'

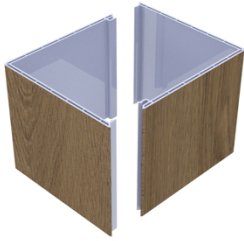


1.5" PVC Universal J Trim
12' & 20'



2pc 2" PVC H-Trim
12' & 20'

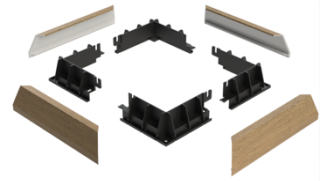
COLUMN AND BEAM WRAP



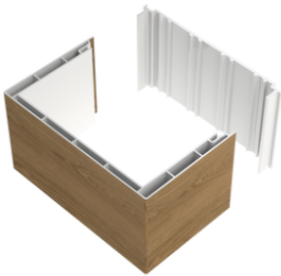
7" 2pc Column Wrap



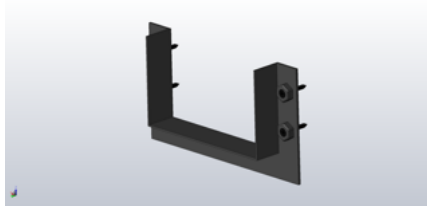
1" X 4" Architectural Trim



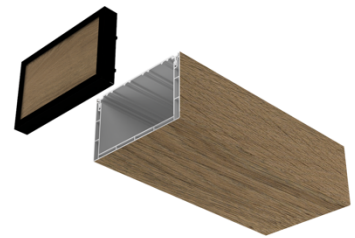
Quick Click Column Cap and Base Trim
Available in 7", 8", 10", and 12"



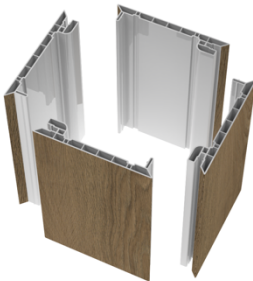
2pc Beam 5.5"x 3.35"



Beam End Bracket



Beam End Cap



4pc Quick Click Column and Beam Wrap
Available in 8", 10", and 12"
New Summer 2024

HORIZONTAL INTERIOR INSTALLATION

4" & 6" VGroove/UChannel and 12" Seamless Panels (3/8")

(See assembly drawings listings on page 39)

- ChamClad® Interior Horizontal panels are installed similarly to Exterior Horizontal panels; please refer to Exterior Horizontal Guidelines on pages 21 – 22.
- Always allow ChamClad® panels and accessories to acclimatize to current temperature conditions before starting the installation. Temperature variations are less on an interior installation.
- Verify that the walls and ceiling substrates are even and level across all surfaces. Furring may be required to acquire a consistent surface to attach ChamClad® panels.
- Establish a level guideline using a chalk line on all wall areas to be covered with ChamClad® wall cladding, where the bottom of the lowest board is to be installed. Depending on the look or finish that is desired, the installer may use a starter strip or a universal J Trim. Since this is an interior wall, no drain holes need be drilled into the bottom of the universal J Trim.
- Install universal J Trim or 2pc J Trim in areas where ChamClad® wall panels meet other finishes. Also install Universal J Trim or 2pc J Trim at all windows, doors, and other penetrations. It is common practice to fasten interior wall panels at 16- 24" O.C. Every few courses of wall panels, the installer should check for horizontal alignment and level.
- Where the interior wall meets the ceiling, and depending on design requirements, use the ChamClad® 2pc J Trim. Install all trim bases first and once ChamClad® wall panels are installed to the top course, finish off by installing the top caps.
- When joining ChamClad® interior wall panels, use 2pc H-Trim to connect panels. It is recommended to align the ChamClad® 2pc H-Trim with other trim elements on the wall.
- On Interior applications, fasten trims (12-16" O.C.) and panels (16-24" O.C.) using ChamClad® universal screws. Panels must be attached to structural framing members.

DO NOT USE STAPLERS/PNEUMATIC STAPLERS FOR INTERIOR OR EXTERIOR APPLICATIONS.

***DO NOT USE 4" and 6" INTERIOR panels in exterior applications. The use of 4",6" and 12" Interior wall panels (3/8") on an exterior wall will void the warranty.**

INTERIOR VERTICAL INSTALLATION

4" & 6" VGroove/UChannel and 12" Seamless Panels

- ChamClad® Interior Vertical panels are installed similarly to Exterior Vertical panels; please refer to detailed Exterior Vertical instructions on page 23.
- Always allow ChamClad® panels and accessories to acclimatize to current temperature conditions before starting the installation. Temperature variations are less on an interior installation, but the same requirement applies.
- Verify that the walls and ceiling substrates are even and level across all surfaces. Furring may be required to acquire a consistent surface to attach ChamClad® panels.
- Establish a level guideline using a chalk line on all wall areas to be covered with ChamClad® wall cladding, where the bottom of the lowest board is to be installed. As in the Exterior Vertical Installation, use a universal J Trim to start application. As this is an interior wall, no drain holes are required to be drilled into the bottom of the universal J Trim.
- Commence application with installation of all trims at 12-16" O.C.
- When covering entire wall area, install starter at mid-point of wall and align VGroove or UChannel to the centre of the wall and work outwards from either side. Install balance of trim bases as per exterior vertical installation and finish wall application with installation of 2pc trim caps. It is good practice to fasten at the highest point of nail slot at the top of each panel to limit downward migration.
- If applying interior vertical panels as a feature on a portion of a wall area, use full panels (cut to height) in order to maximize overall appearance. Begin with installation of component pieces and base trims; followed by installation of all wall panels (working left to right) and complete with application of component top caps. Attach panels to structural framing members.

DO NOT USE Electric Staplers/Pneumatic Staplers for INTERIOR APPLICATIONS.
We recommend using Chamclad® Universal Screws but if unavailable use a non-corrosive Low Profile #8 Modified Truss Head Screw 1 ¼".

DO NOT USE 4", 6" and 12" INTERIOR panels (3/8") in exterior wall applications. The use of 4", 6" and 12" Interior wall panels (3/8") on an exterior wall will void the warranty.

INTERIOR CEILING INSTALLATION

4" & 6" VGroove/UChannel, 12" Seamless Panels (3/8")

(See assembly drawings listings on page 39)

- ChamClad® interior wall panels may also be used as a ceiling finish; installed similar to ChamClad® exterior soffit panels - refer to page 25.
- Always allow ChamClad® panels and accessories to acclimatize to current temperature conditions before starting the installation. Temperature variations are less on an interior installation, but the same requirement applies.
- Verify that ceiling substrates are even and level across all surfaces. Furring may be required to achieve a consistent surface to attach ChamClad® panels. Install furring strips (1x3") at 12-16" O.C. perpendicular to the joist.
- We recommend all ChamClad® accessories be fastened every 12-16"
- Fasten at each furring strip, which should be 12-16" O.C. Once you have installed a few courses of ChamClad® ceiling panels, check for alignment of the perpendicular or parallel adjacent vertical wall. Where you are placing panels end to end, use H-Trim to finish the joint.
- Install the remaining ChamClad® panels and check for alignment. When using the 2pc J Trim install the top cap onto the base to complete the installation.

Note:

- ChamClad® versatile 4", 6" & 12" interior architectural panels are designed for all types and sizes of decorative (non-load bearing) post, beam and column wrap applications. In addition, we offer a 2pc Faux beam wrap which is lightweight and easy to install. Please refer to detailed installation instructions on page 38.
 - 4", 6", and 12" interior 3/8" panels must be used for soffit applications, interior covered deck areas, barrel ceilings, sun porches, interior walls, and ceilings. The use of these panels on an exterior WALL will void the warranty.

ChamClad® 6" Ceiling Panels (SunBleached Oak)





8" Quick Click Column and Beam in Cinnamon Walnut

CHAMCLAD COLUMN & BEAM

EXTERIOR & INTERIOR



2pc faux beam Sunbleached Oak



7" 2pc column wrap Sunbleached Oak

COLUMN AND BEAM WRAP INSTALLATION

7" 2pc Classic Column Wrap and 4pc Quick Click Column and Beam Wrap

(See assembly drawings listings on page 39)



INSTALLATION INSTRUCTIONS FOR CHAMCLAD 2PC 7" CLASSIC COLUMN WRAP

1. LOADING

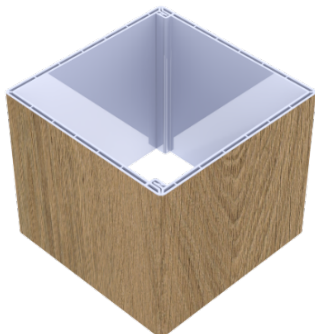
- An internal structural support must be used if the column is for non-load bearing or for load bearing applications.

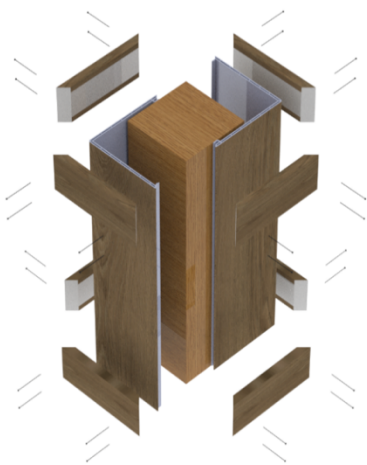
2. DIMENSIONS

- Exterior dimensions of the column are 7" x 7".
- Internal cleared dimensions of the column are 6" x 6 1/2".
- Architectural trim dimensions are 3/4" x 3 5/8".
- Column lengths available in pairs at 10ft lengths.
- Architectural trims available at 6.5ft and 13ft.

3. INSTALLATION

- The internal structural support should be straight, square, and within the dimensions specified above.
- Cut 2pc columns caps 1/2" shorter than column height requirements to allow for expansion and contraction at the top of the column.
- Wrap the 2pc columns around the vertical internal structural support by engaging the arrowhead in one panel into the groove of the second panel. Do this on both ends of the "L" shaped column, using a white non-marking rubber mallet to assemble. Ensure a tight wrap around the internal structure to avoid movement and full engagement of the two pieces for a seamless finish.
- Do not fix PVC column with nails or screws into the substrate support structure.
- Optional:
 - if column is loose or has movement around the internal structural support:
 - Create three collars measuring 6 1/2" x 5 1/2" around the base, center, and top of the support structure. Install the 2pc column, which will form a tight fit around the collars. This will prevent movement of the 2pc column.





FINISHING with 1" x 4" Architectural Trim

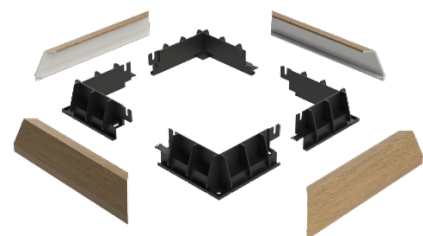
- Chamclad® requires use of architectural trims to finish the ends of the columns.
- Measure and cut architectural trims at 45-degrees. Ensure the trim is pressed firmly against the column when determining the edge of the 45-degree cut.
- Touch up exposed cut edges with touch-up paint. Paint cans or touch up pens available through ChamClad®.
- Apply PL Premium on the back of each cut trim and position along column base or cap.
- Wrap a fastening strap around trims and allow to cure for 24 hrs



Finishing with ChamClad's Column and Base Trim

- Chamclad® offers a Column Cap & Base trim to finish the base and/or top of the columns.
- Place the column brackets around each corner of the column base ensuring they are level, and anchor the bracket to the deck or substrate through the predrilled holes in the corners.
- Screw the bracket into the column and snap on the 4pc trims provided until they click.

Touch up exposed cut edges with touch-up paint



INSTALLATION INSTRUCTIONS FOR CHAMCLAD® 4-PIECE QUICK CLICK COLUMN WRAP



1. LOADING

- a. An internal structural support must be used if the column is for non-load bearing or for load bearing applications.
- b. Always climatize product 24hrs before installation.

2. DIMENSIONS

- Exterior dimensions of the column available are 8" x 8", 10" x 10", 12" x 12" (Mix and match dimensions are also available. e.g. 8" x 10", 10" x 12" etc.) (figure 1)
- Check Detailed drawings (figure 2) for the internal clearance dimensions
- Columns available in sets of 2pc (4pc to complete 1 Column or Beam) in 10ft and 20ft lengths.

3. INSTALLATION FOR COLUMNS

Note: Available in 8", 10", and 12" face sizes, in 10' or 20' stocked lengths you can mix and match to create custom columns.

- a. The internal structural support should be straight, square, and within the dimensions specified in the detailed drawing.
- b. Pack with dimensional lumber or block top, middle and bottom
- c. Start by measuring your column height and cut ChamClad Column wrap to desired length less ¼" in exterior application to allow for expansion and contraction.
- d. Snap together 2 of the 4pc into a 'L' shape using a rubber mallet and place around the column. Repeat with the remaining 2pc for the other side.
- e. Connect the column wrap using ChamClad universal screws on two sides at the base, countersinking the screw to be flush with the column face. This will allow for the trim to sit flat.



4. FINISHING

Column Cap & Base Trim Option (Figure 3)

- a. Place the column brackets around each corner of the column base ensuring they are level, and anchor the bracket to the deck or substrate through the predrilled holes in the corners.
- b. Screw the bracket into the column and snap on the 4pc trims provided until they click.
- c. Touch up exposed cut edges with ChamClad touch-up paint.

Column 1" X 4" Architectural Trim Option

- d. Measure and cut architectural trims at 45-degrees, ensuring the trim is pressed firmly against the column. (This will assist in determining the edge of the 45-degree cut).
- e. Touch up exposed cut edges with ChamClad touch-up paint.
- f. Apply PL Premium on the back of each cut trim and position along column base or cap.
- g. Wrap a fastening strap around architectural trims and allow to cure for 24 hrs

Note: If you do not want to trim out columns, use Bradnail at the base of the column to secure.

5. INSTALLATION FOR BEAM WRAPS

ChamClad® 4pc Beam System is not load bearing and should not be used as the primary source of weight.

Note: Available in 8", 10", and 12" face sizes, in 10' or 20' stocked lengths you can mix and match to create stunning faux beams.

- a. Start by measuring your beam length and cut the ChamClad Beam to the desired length
- b. Snap together 2 of the 4pc into a 'L' shape using a rubber mallet.
- c. Fasten preassembled 2pc beam wrap using universal screws every 16-24" along the screw track (figure 4)
- d. Ensure ChamClad Universal Screws are fastened into a joist or a stud. If no solid backing is available, it must be added before installation.
- e. Snap together the final 2 of the 4pcs in place using a rubber mallet.

FINISHING

Beam 1" X 4" Architectural Trim

- f. Measure & Cut architectural trims at 45-degrees. Ensure the trim is pressed firmly against the beam when determining the edge of the 45-degree cut.

Touch up exposed cut edges with touch-up paint. Paint cans or touch up pens available through

Figure 1. 4pc Column and Beam Mix and Match Options

osition along the beam end where required.

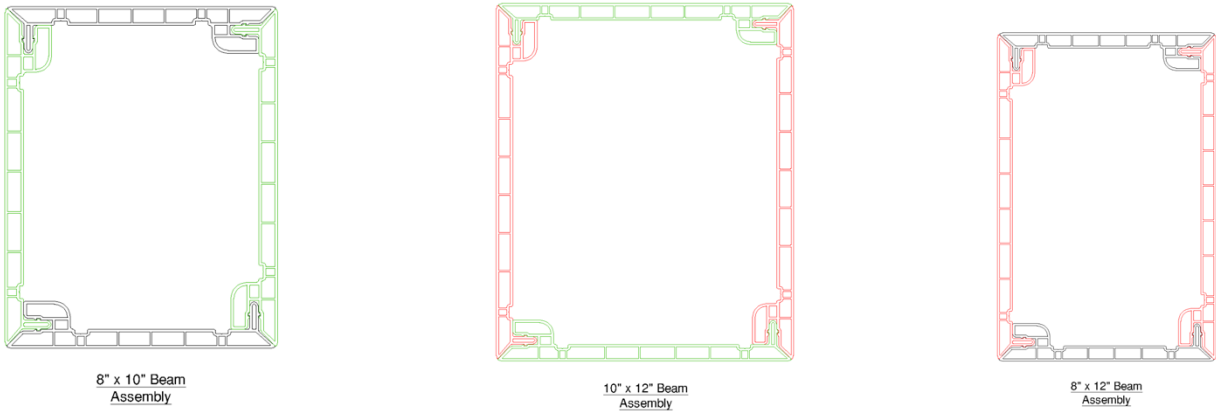


Figure 2. Exterior and Interior Detailed Column and Beam Dimensions

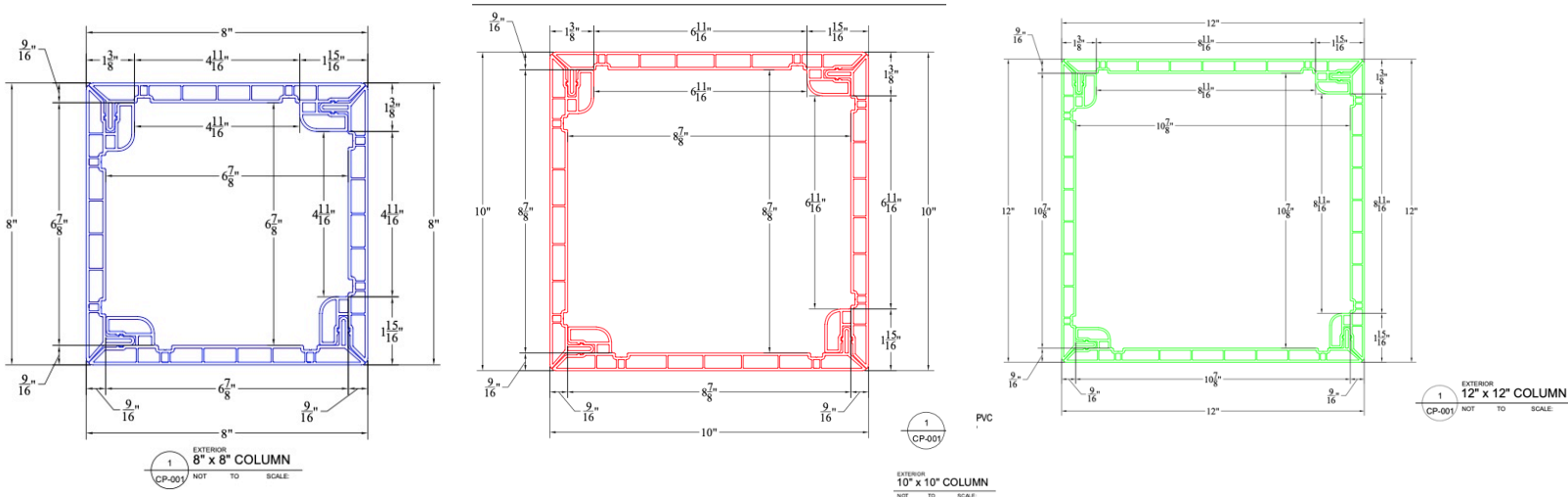
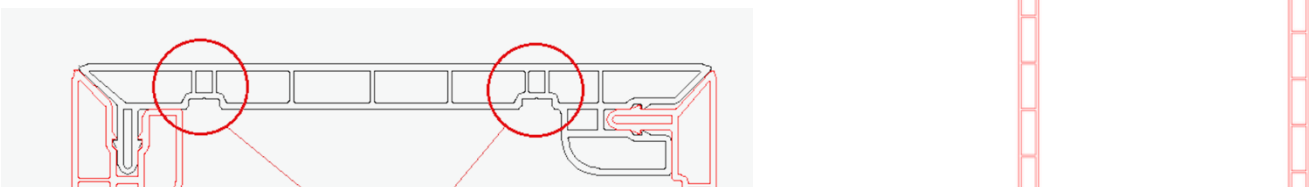


Figure 3. Column Cap and Base Trim and 1\"/>



Figure 4. Beam Screw Track



2PC FAUX BEAM INSTALLATION

(See assembly drawings listings on page 39)

1. LOADING

- o ChamClad® 2pc Beam System is not load bearing and should not be used as primary source of weight support.
- o Internal Weight Capacity of Beam = 24.11 kg/m (16.17 lbs/ft) (equally distributed weight).
- o Weight of Beam and Adapter = 1.84 kg/m (1.23 lbs/ft)

2. DIMENSIONS

- o Exterior dimensions of the beam are 5-1/2" x 3-3/8"
- o Internal cleared dimensions of the column are 43/4" x 3".
- o Beam cap and Adapter lengths available in pairs at 10ft, 16ft, and 20ft lengths.

3. PACKAGING

- o Beam cap and Adapter will be packaged together in vented white bags, one set per bag.

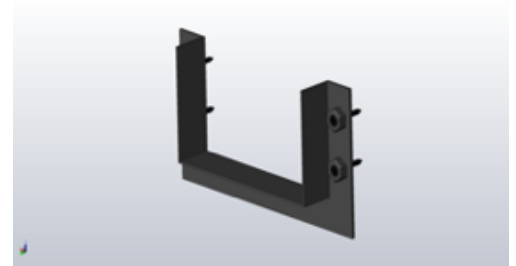
4. INSTALLATION OF 2PC FAUX BEAM

- o ChamClad® 2pc beam is compatible for interior applications.
 - o Allow 2pc beam system to climatize to installation temperatures prior to cutting. Measure and mark beam length using a square edge.
 - o If fitting against an angled wall or ceiling, a T-bevel may be helpful to determine the cut angle.
 - o Use a fine-toothed circular saw to cut beam cap and adapter. Ensure equal lengths of both adapter and beam are cut.
 - o Mark ceiling with a chalk line to ensure a straight installation of the beam adapter.
 - o Fasten beam adapter using ChamClad® universal screws every 16-24". Ensure fasteners are fastened into a joist or a stud.
- o Add ChamClad® beam bracket along wall to close any spacing between wall and beam good for renovation (2 per pack plus screws, #8 1 1/2" flat quadrex course thread plated black zinc) 8 per bag.



UNASSEMBLED

ASSEMBLED

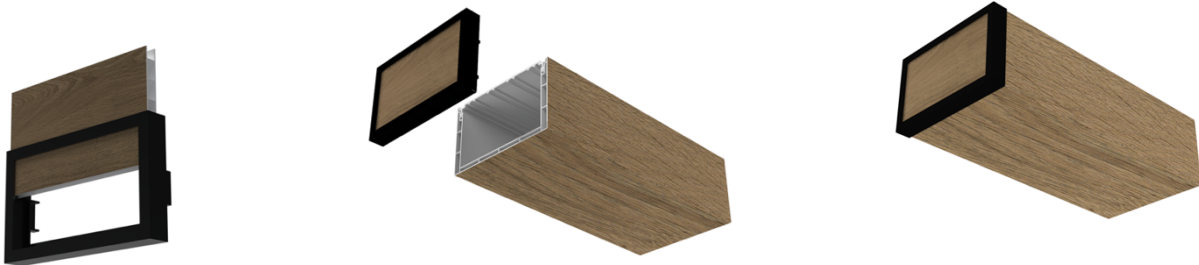


BEAM END BRACKET

6. FINISHING

Beam End Cap Option

- Trim the supplied 3/8" panel to 5 1/2" X 3 1/4" (You may also use a matching 3/8" panel from the job)
- Slide the panel into the Beam Cap ensuring the panel is to the bottom of the cap and no panel is exposed above the trim.
- Add a small Dab of silicone into the cavity of the beam on 2 sides.
- Fit the cap onto the beam.



BEAM END CAP

ASSEMBLY DRAWINGS

HORIZONTAL EXTERIOR

- see drawings CD.3 & CD.5 (pages 44 & 45)

VERTICAL EXTERIOR

- see drawings CD.8 & CD.10 (pages 46 & 47)

SOFFIT DETAILS

- see drawing CD.15 (page 48)

INTERIOR HORIZONTAL

- see drawings CD.5 (page 45)

INTERIOR CEILING

- see drawing CD.13 (page 59)

COLUMNS & BEAMS USING CHAMCLAD CLASSIC OR SHADOWLINE PANELS

- see drawings CD.19, CD.20, & CD.16 (pages 49, 50 & 52)

7" COLUMN WRAP 2PC QUICKCLICK SYSTEM

- see drawing CD.27 & CD.28 (pages 52 & page 57)

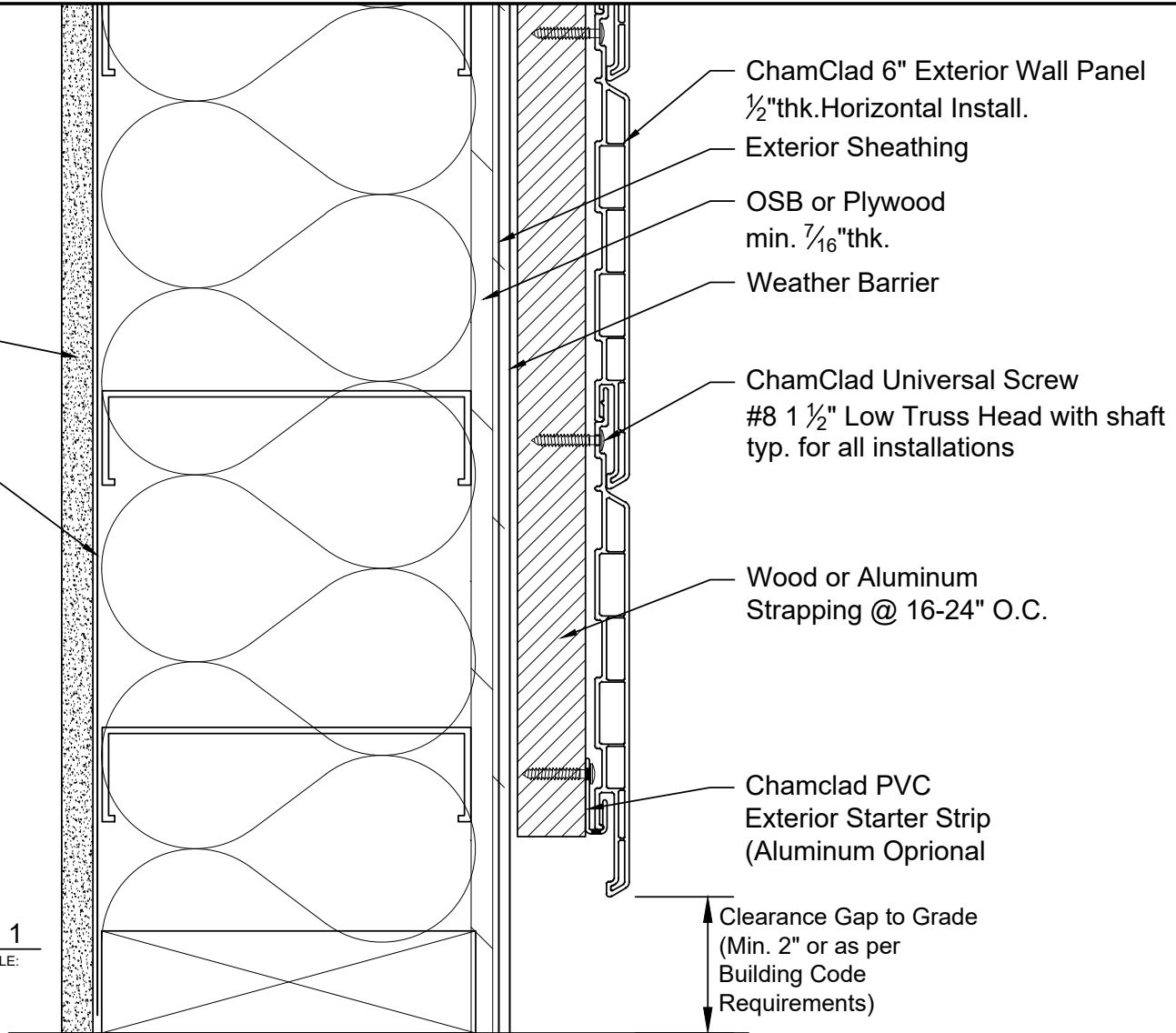
4PC QUICK CLICK COLUMN AND BEAM SYSTEM

- see drawings CD.29, CD.30, CD.31 & CD.32 (pages 53-56)

2PC FAUX BEAM QUICKCLICK SYSTEM

- see drawing CD.18 (page 58)

Drywall
Vapour Barrier



1 CHAMCLAD WALL SYSTEM
WALL FLOOR DETAIL 1
CD-3 NOT TO SCALE

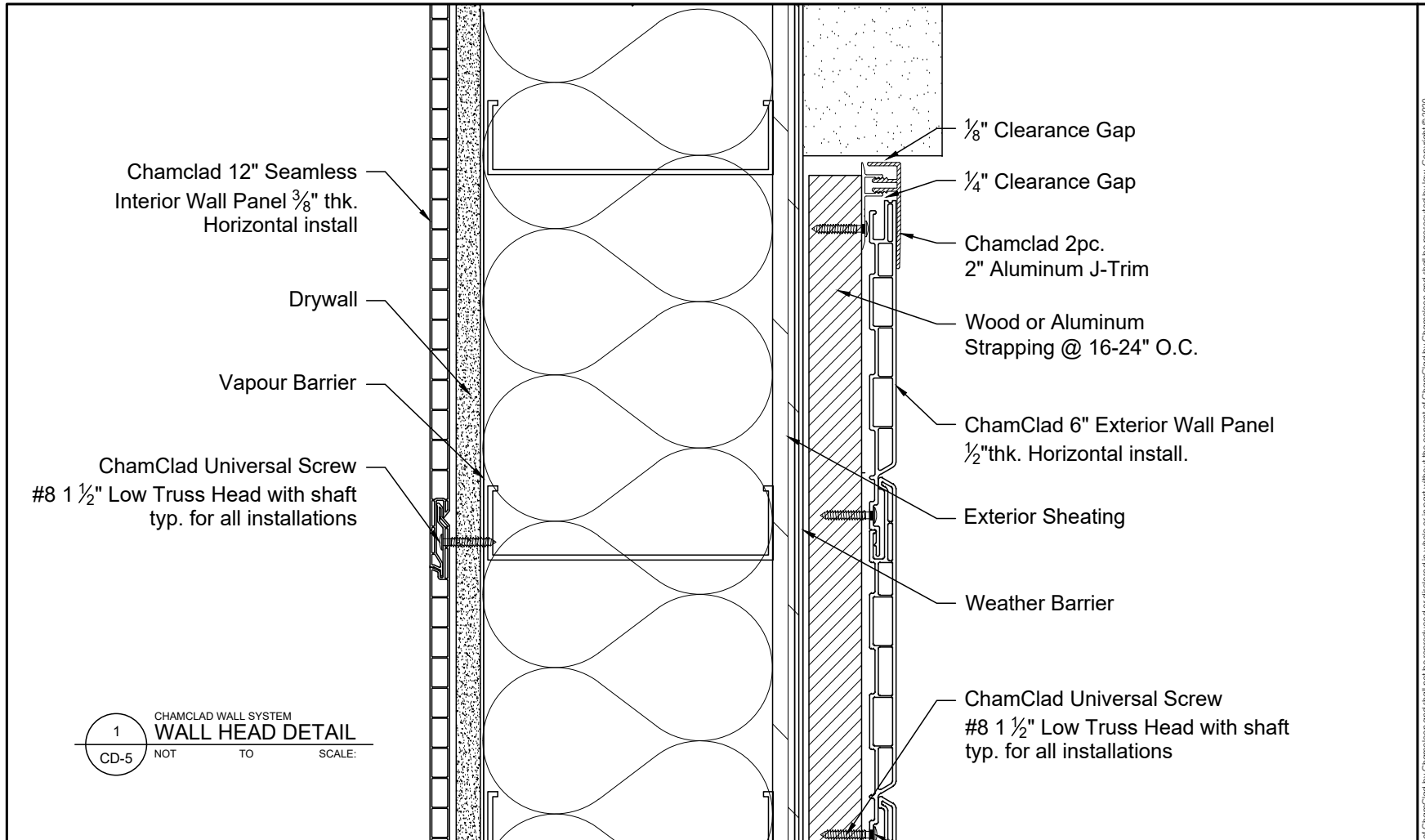


10235-184 Street NW
Edmonton, AB T5S 2J4
PH: (780) 454-4430

INSTALLATION PROGRAM	SHEET CONTENT	REVISIONS	DATE	DRAWING INFORMATION			
CHAMCLAD WALL SYSTEM	WALL FLOOR DETAIL 1	UPDATE TO LATEST PRODUCT DESCRIPTION	11/08/23	SCALE:	AS SHOWN		
INSTALLATION PROCESS				PREPARED BY:	RFE	DATE START:	11/08/23
HORIZONTAL INSTALL ON RAINSCREEN ASSEMBLY				DRAWN BY:	RFE	DATE FINISHED:	11/08/23
				DESIGNED BY:	RFE	APPROVED BY:	A.G.
				SHEET NUMBER	CD-3		

Note: The copyright in this drawing is the property of the above company, and neither the drawing nor any part of it, nor any information contained therein, shall be reproduced or disclosed to any third party other than for the purpose of the use of the company product.

This drawing is the property of ChamClad by Chamelison and shall not be reproduced or disclosed in whole or in part without the consent of Chamelison and shall be protected by law. Copyright © 2020



1 CHAMCLAD WALL SYSTEM
 WALL HEAD DETAIL
 CD-5 NOT TO SCALE



INSTALLATION PROGRAM	CHAMCLAD WALL SYSTEM
INSTALLATION PROCESS	HORIZONTAL INSTALL ON RAINSCREEN ASSEMBLY

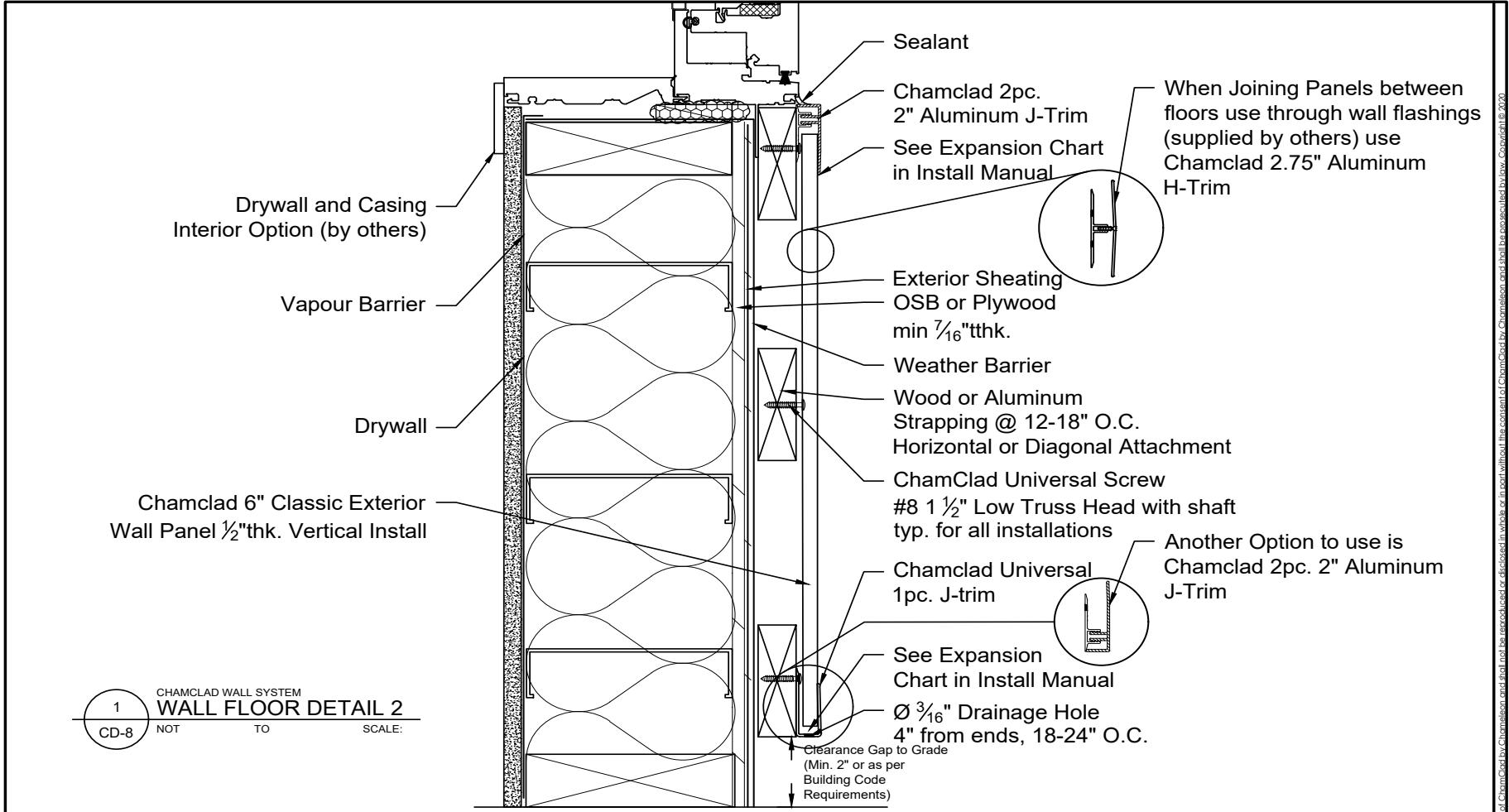
SHEET CONTENT	WALL HEAD DETAIL
---------------	------------------

REVISIONS	DATE
UPDATE TO LATEST PRODUCT DESCRIPTION	11/08/23

DRAWING INFORMATION			
SCALE:	AS SHOWN		
PREPARED BY:	RFE	DATE START:	11/08/23
DRAWN BY:	RFE	DATE FINISHED:	11/08/23
DESIGNED BY:	RFE	APPROVED BY:	A.G.
SHEET NUMBER	CD-5		

Note: The copyright in this drawing is the property of the above company, and neither the drawing nor any part of it, nor any information contained therein, shall be reproduced or disclosed to any third party other than for the purpose of the use of the company product.

This drawing is the property of ChamClad by Chameleon and shall not be reproduced or disclosed in whole or in part without the consent of ChamClad by Chameleon and shall be controlled by law. Copyright © 2020



1 CHAMCLAD WALL SYSTEM
 CD-8 WALL FLOOR DETAIL 2
 NOT TO SCALE



10235-184 Street NW
 Edmonton, AB T5S 2J4
 PH: (780) 454-4430

INSTALLATION PROGRAM	CHAMCLAD WALL SYSTEM
INSTALLATION PROCESS	VERTICAL INSTALL ON RAINSCREEN ASSEMBLY

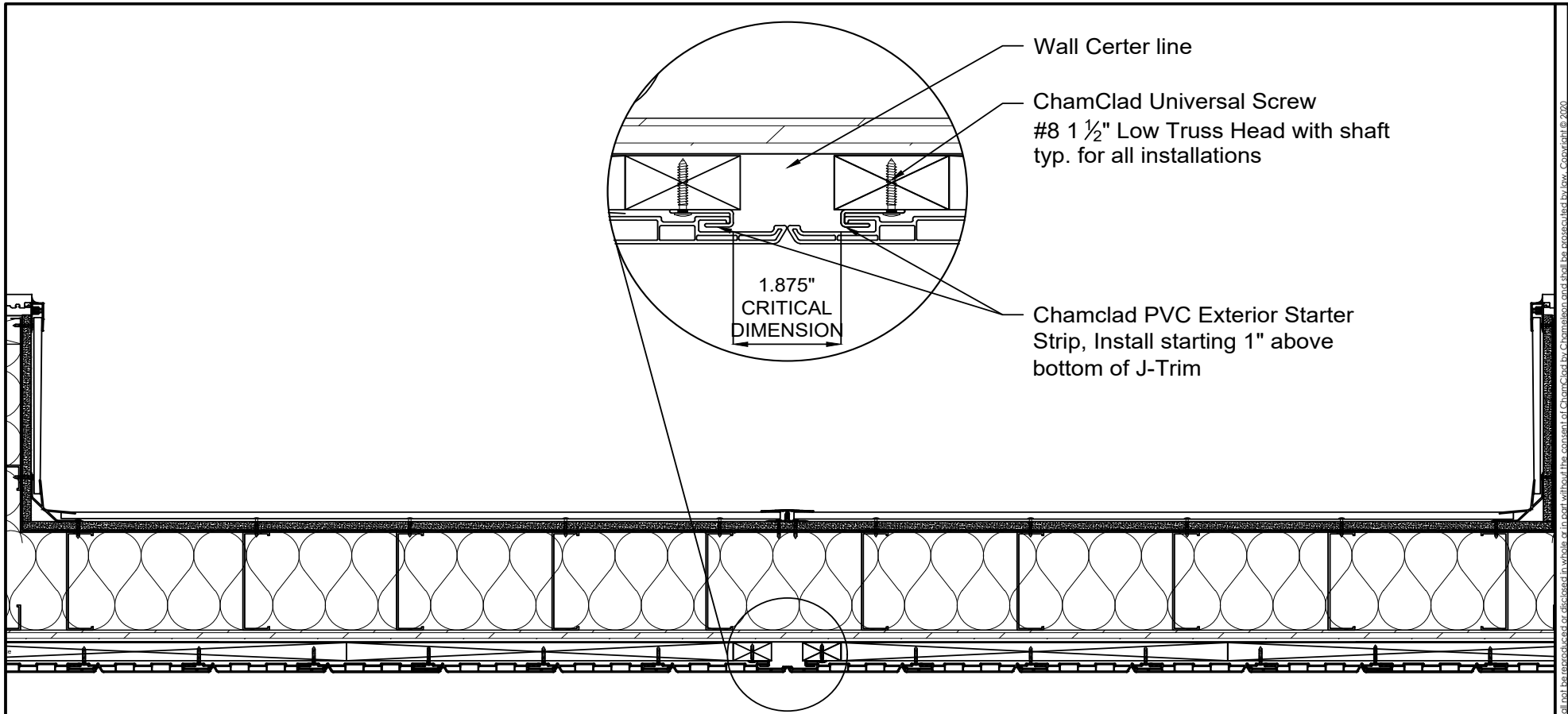
SHEET CONTENT	WALL FLOOR DETAIL 2
---------------	---------------------

REVISIONS	DATE
UPDATE TO LATEST PRODUCT DESCRIPTION	12/14/23

DRAWING INFORMATION			
SCALE:	AS SHOWN		
PREPARED BY:	RFE	DATE START:	12/14/23
DRAWN BY:	RFE	DATE FINISHED:	12/14/23
DESIGNED BY:	RFE	APPROVED BY:	A.G.
SHEET NUMBER	CD-8		

Note: The copyright in this drawing is the property of the above company, and neither the drawing nor any part of it, nor any information contained therein, shall be reproduced or disclosed to any third party other than for the purpose of the use of the company product.

This document is the intellectual property of ChamClad and shall not be reproduced or disclosed in whole or in part without the express written consent of ChamClad. © 2020



1 CHAMCLAD WALL SYSTEM
WALL CENTER DETAIL
 CD-10 NOT TO SCALE:

SHEET CONTENT

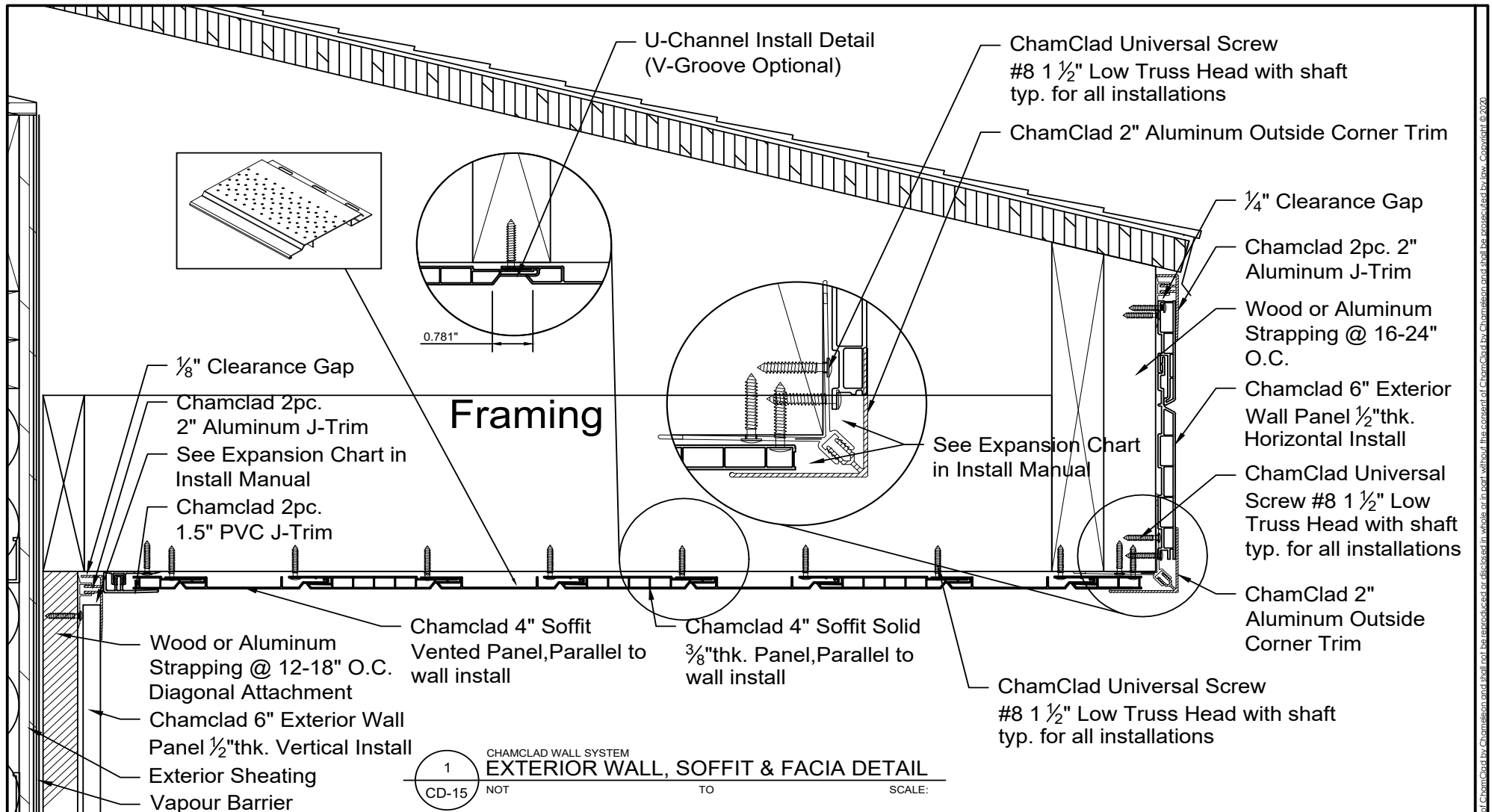


10235-184 Street NW
 Edmonton, AB T5S 2J4
 PH: (780) 454-4430

INSTALLATION PROGRAM	WALL CENTER DETAIL	REVISIONS	DATE	DRAWING INFORMATION			
CHAMCLAD WALL SYSTEM		UPDATE TO LATEST PRODUCT DESCRIPTION	11/10/23	SCALE:	AS SHOWN		
INSTALLATION PROCESS				PREPARED BY:	RFE	DATE START:	11/10/23
VERTICAL STARTING INSTALL				DRAWN BY:	RFE	DATE FINISHED:	11/10/23
				DESIGNED BY:	RFE	APPROVED BY:	A.G.
				SHEET NUMBER	CD-10		

Note: The copyright in this drawing is the property of the above company, and neither the drawing nor any part of it, nor any information contained therein, shall be reproduced or disclosed to any third party other than for the purpose of the use of the company product.

This drawing is the property of ChamClad by ChamClad and shall not be reproduced or disclosed in whole or in part without the consent of ChamClad by ChamClad. Copyright © 2020



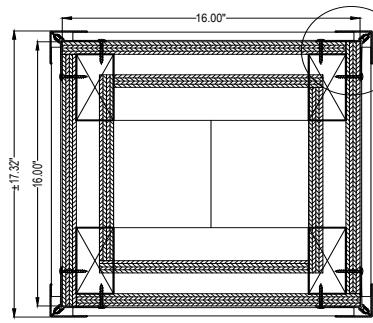
CHAMCLAD WALL SYSTEM
 1 EXTERIOR WALL, SOFFIT & FACIA DETAIL
 CD-15 NOT TO SCALE



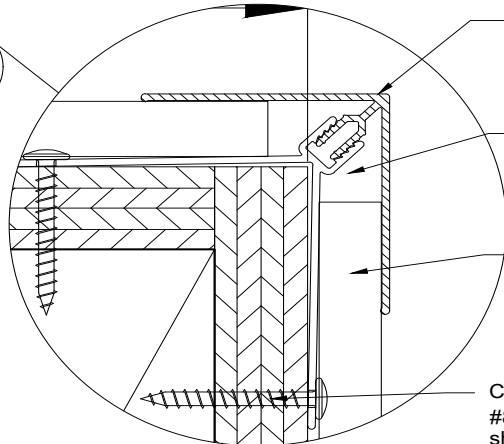
INSTALLATION PROGRAM	SHEET CONTENT	REVISIONS	DATE	DRAWING INFORMATION	
CHAMCLAD WALL SYSTEM	EXTERIOR WALL, SOFFIT & FACIA DETAIL	UPDATE TO LATEST PRODUCT DESCRIPTION	11/10/23	SCALE:	AS SHOWN
INSTALLATION PROCESS				PREPARED BY:	RFE DATE START: 11/10/23
4" SOFFIT PANEL VENTED, FACIA & EXTERIOR WALL PANEL ASSEMBLY				DRAWN BY:	RFE DATE FINISHED: 11/10/23
				DESIGNED BY:	RFE APPROVED BY: A.G.
				SHEET NUMBER	CD-15

Note: The copyright in this drawing is the property of the above company, and neither the drawing nor any part of it, nor any information contained therein, shall be reproduced or disclosed to any third party other than for the purpose of the use of the company product.

The drawing is the property of ChamClad by Chameleon and shall not be reproduced or disclosed in whole or in part without the consent of ChamClad by Chameleon and shall be reproduced by law. Copyright © 2020.



SECTION C-C

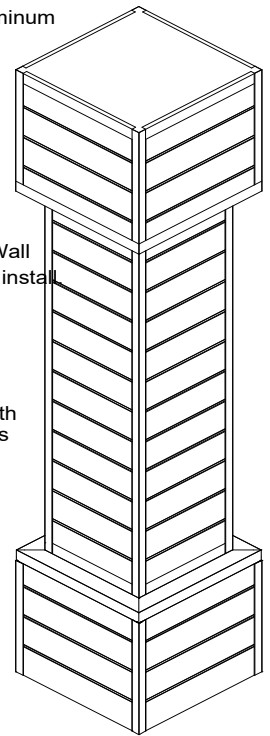


ChamClad 2pc. 2" Aluminum Outside Corner Trim

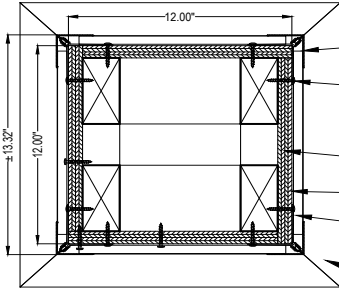
1/4" Clearanc Gap (see Expansion Gap Chart in Install Manual)

ChamClad 6" Exterior Wall Panel 1/2"thk. Horizontal install

ChamClad Universal Screw #8-1 1/2" Low Truss Head with shaft, typ. for all Installations



ISOMETRIC VIEW



SECTION B-B

ChamClad 2pc. 2" Aluminum Outside Corner Trim

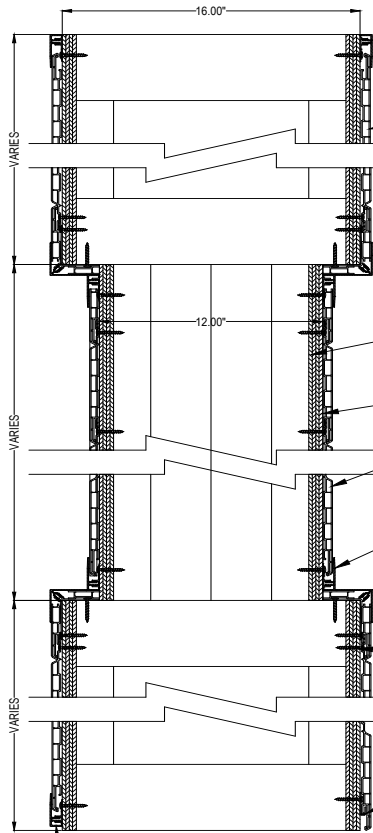
ChamClad Universal Screw #8-1 1/2" Low Truss Head with shaft, typ. for all Installations

Exterior Sheating

Vapour Barrier

ChamClad 6" Wall Panel 1/2"thk. trim to fit, Horizontal install

ChamClad 2pc. 2" Aluminum Outside Corner Trim, mitered corner top



SECTION A-A

ChamClad 2pc. 2" Aluminum J-Trim

ChamClad 6" Wall Panel 1/2"thk. trim to fit, Horizontal install

ChamClad 2pc. 2" Aluminum Outside Corner Trim

Exterior Sheating

Vapour Barrier

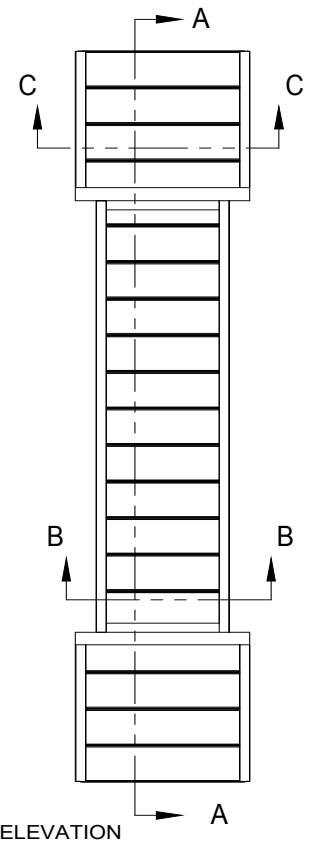
ChamClad 6" Wall Panel 1/2"thk. trim to fit, Horizontal install

ChamClad 2pc. 2" Aluminum J-Trim

ChamClad 2pc. 2" Aluminum Outside Corner Trim, mitered corner top

ChamClad Universal Screw #8-1 1/2" Low Truss Head with shaft, typ. for all Installations

ChamClad PVC or Aluminum Starter Strip.



ELEVATION

ChamClad 2pc. 2" Aluminum J-Trim (OPTIONAL)

1
CD-19

CHAMCLAD COLUMN SYSTEM
**6" WALL PANEL COLUMN
HORIZONTAL ASSEMBLY**

NOT TO SCALE:



10235-184 Street NW
Edmonton, AB T5S 2J4
PH: (780) 454-4430

INSTALLATION SYSTEM

CHAMCLAD COLUMN SYSTEM

INSTALLATION PROCESS

HORIZONTAL INSTALLATION

SHEET CONTENT

6" WALL PANEL
COLUMN
HORIZONTAL
ASSEMBLY

REVISIONS

UPDATE TO LATEST PRODUCT DESCRIPTION

DATE

11/08/23

DRAWING INFORMATION

SCALE: AS SHOWN

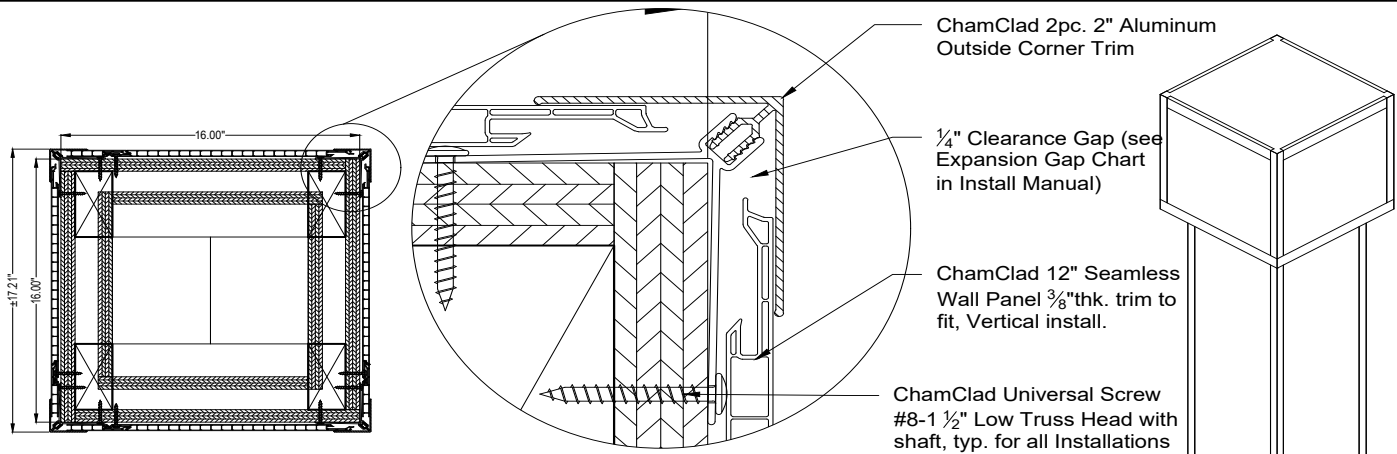
PREPARED BY: RFE DATE START: 11/12/23

DRAWN BY: RFE DATE FINISHED: 11/12/23

DESIGNED BY: RFE APPROVED BY: A.G.

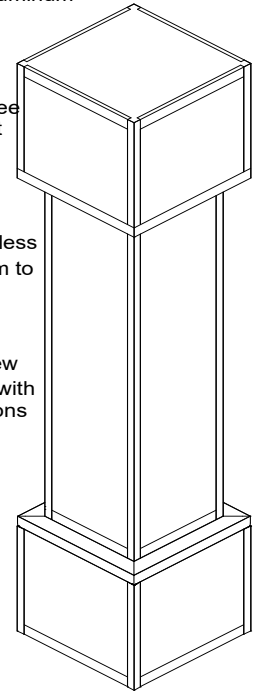
SHEET NUMBER CD-19

Note: The copyright in this drawing is the property of the above company, and neither the drawing nor any part of it, nor any information contained therein, shall be reproduced or disclosed to any third party other than for the purpose of the use of the company product. This drawing is the property of ChamClad by Chameleon and shall not be reproduced or disclosed in whole or in part without the consent of ChamClad by Chameleon and shall be prosecuted by law. Copyright © 2020

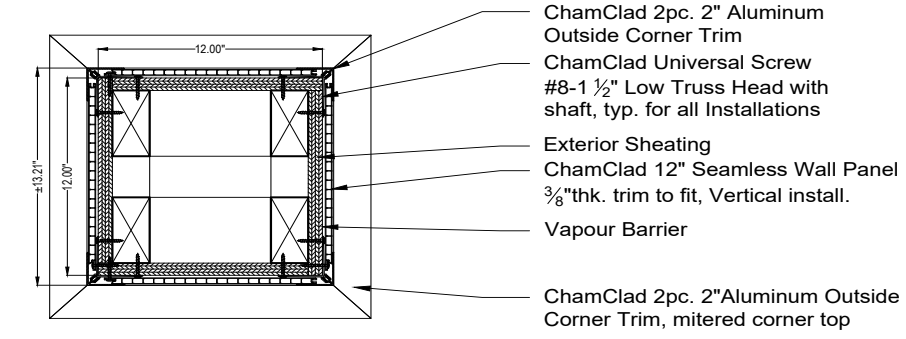


SECTION C-C

- ChamClad 2pc. 2" Aluminum Outside Corner Trim
- 1/4" Clearance Gap (see Expansion Gap Chart in Install Manual)
- ChamClad 12" Seamless Wall Panel 3/8" thk. trim to fit, Vertical install.
- ChamClad Universal Screw #8-1 1/2" Low Truss Head with shaft, typ. for all Installations

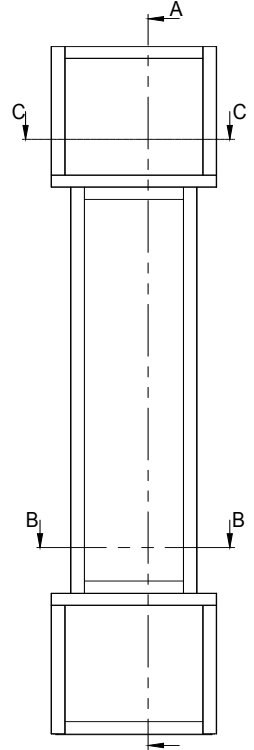


ISOMETRIC VIEW

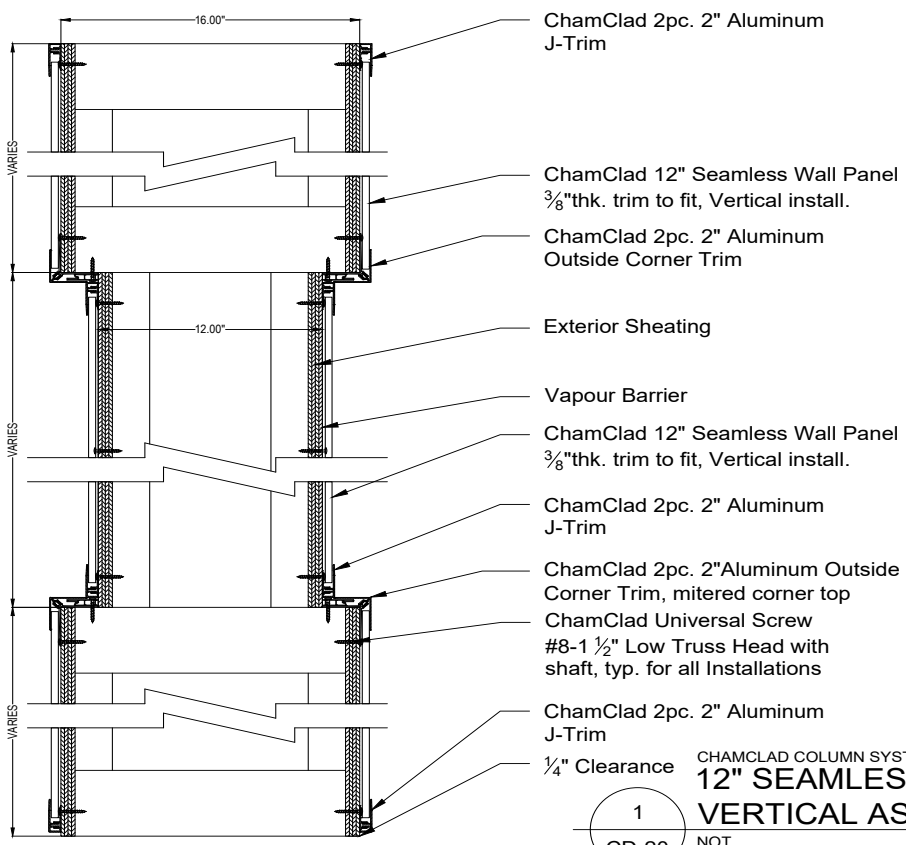


SECTION B-B

- ChamClad 2pc. 2" Aluminum Outside Corner Trim
- ChamClad Universal Screw #8-1 1/2" Low Truss Head with shaft, typ. for all Installations
- Exterior Sheathing
- ChamClad 12" Seamless Wall Panel 3/8" thk. trim to fit, Vertical install.
- Vapour Barrier
- ChamClad 2pc. 2" Aluminum Outside Corner Trim, mitered corner top



ELEVATION



SECTION A-A

- ChamClad 2pc. 2" Aluminum J-Trim
- ChamClad 12" Seamless Wall Panel 3/8" thk. trim to fit, Vertical install.
- ChamClad 2pc. 2" Aluminum Outside Corner Trim
- Exterior Sheathing
- Vapour Barrier
- ChamClad 12" Seamless Wall Panel 3/8" thk. trim to fit, Vertical install.
- ChamClad 2pc. 2" Aluminum J-Trim
- ChamClad 2pc. 2" Aluminum Outside Corner Trim, mitered corner top
- ChamClad Universal Screw #8-1 1/2" Low Truss Head with shaft, typ. for all Installations
- ChamClad 2pc. 2" Aluminum J-Trim
- 1/4" Clearance

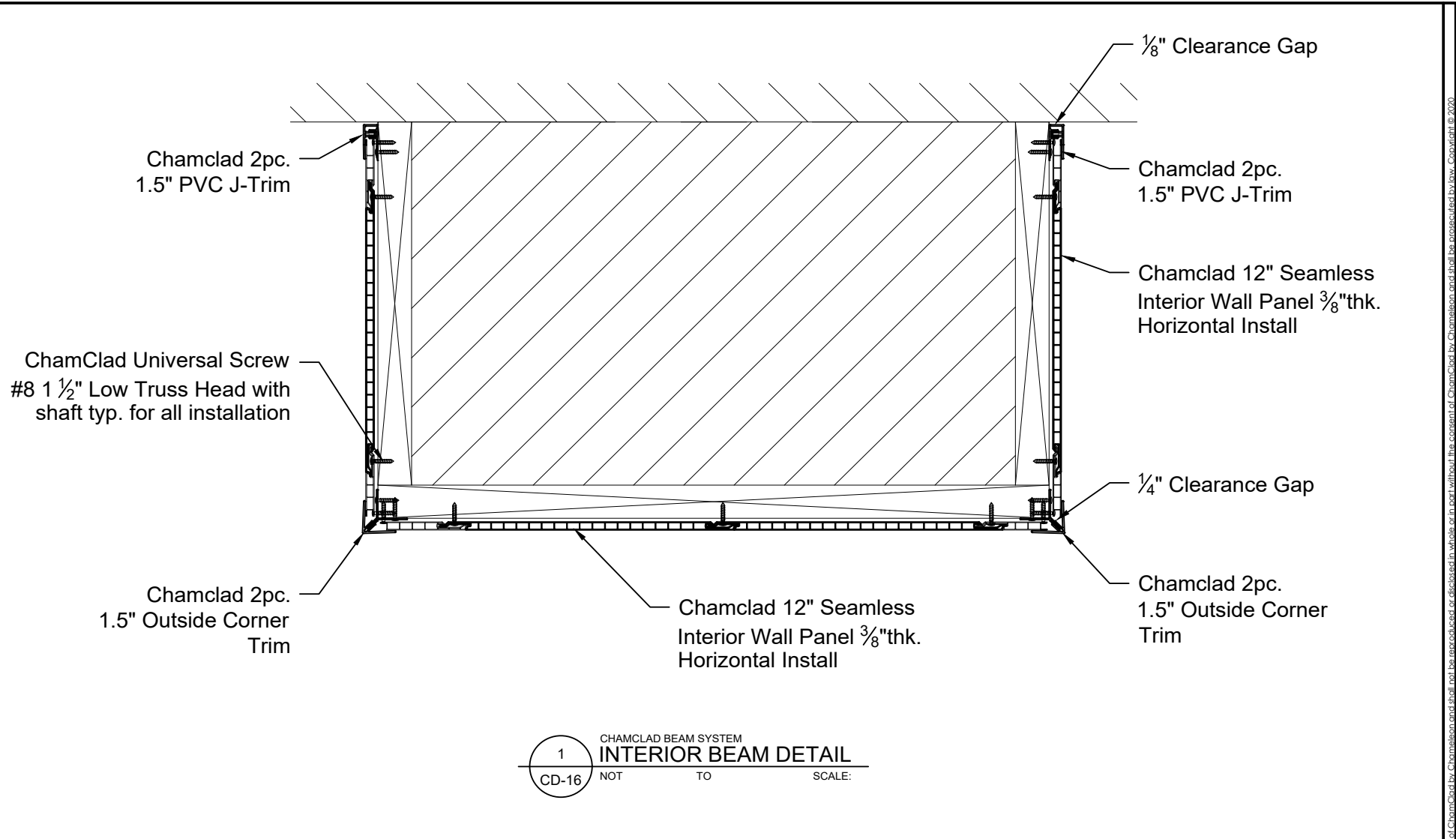
CHAMCLAD COLUMN SYSTEM
12" SEAMLESS WALL PANEL COLUMN
VERTICAL ASSEMBLY INT/EXT

1
 CD-20 NOT TO SCALE



INSTALLATION SYSTEM	SHEET CONTENT	REVISIONS	DATE	DRAWING INFORMATION	
CHAMCLAD COLUMN SYSTEM	12" SEAMLESS WALL PANEL COLUMN VERTICAL ASSEMBLY INT/EXT	UPDATE TO LATEST PRODUCT DESCRIPTION	11/08/23	SCALE:	AS SHOWN
INSTALLATION PROCESS				PREPARED BY: RFE	DATE START: 11/12/23
VERTICAL INSTALLATION				DRAWN BY: RFE	DATE FINISHED: 11/12/23
				DESIGNED BY: RFE	APPROVED BY: A.G.
				SHEET NUMBER	CD-20

Note: The copyright in this drawing is the property of the above company, and neither the drawing nor any part of it, nor any information contained therein, shall be reproduced or disclosed to any third party other than for the purpose of the use of the company product. This drawing is the property of ChamClad by Chameleon and shall not be reproduced or disclosed in whole or in part without the consent of ChamClad by Chameleon and shall be prosecuted by law. Copyright © 2020



10235-184 Street NW
Edmonton, AB T5S 2J4
PH: (780) 454-4430

INSTALLATION PROGRAM	CHAMCLAD BEAM SYSTEM
INSTALLATION PROCESS	12" SEAMLESS INTERIOR WALL PANEL AS BEAM ASSEMBLY

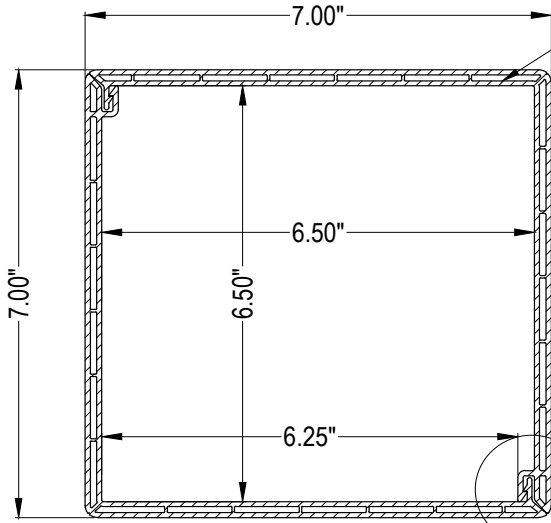
SHEET CONTENT	CEILING BEAM DETAIL
---------------	---------------------

REVISIONS	DATE
UPDATE TO LATEST PRODUCT DESCRIPTION	11/10/23

DRAWING INFORMATION			
SCALE:	AS SHOWN		
PREPARED BY:	RFE	DATE START:	11/10/23
DRAWN BY:	RFE	DATE FINISHED:	11/10/23
DESIGNED BY:	RFE	APPROVED BY:	A.G.
SHEET NUMBER	CD-16		

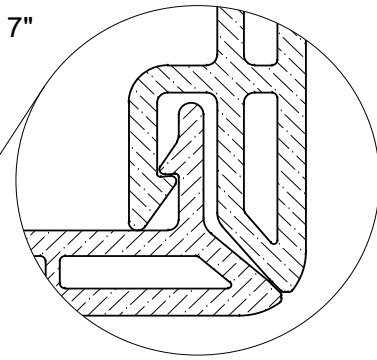
Note: The copyright in this drawing is the property of the above company, and neither the drawing nor any part of it, nor any information contained therein, shall be reproduced or disclosed to any third party other than for the purpose of the use of the company product.

This drawing is the property of ChamClad by Chromalloy and shall not be reproduced or disclosed in whole or in part without the consent of ChamClad by Chromalloy and shall be reproduced by law. Copyright © 2020

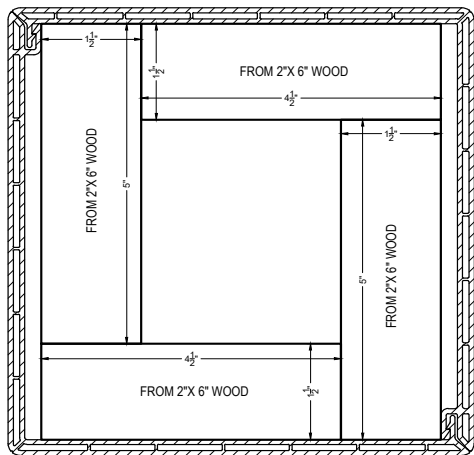


COLUMN PROFILE

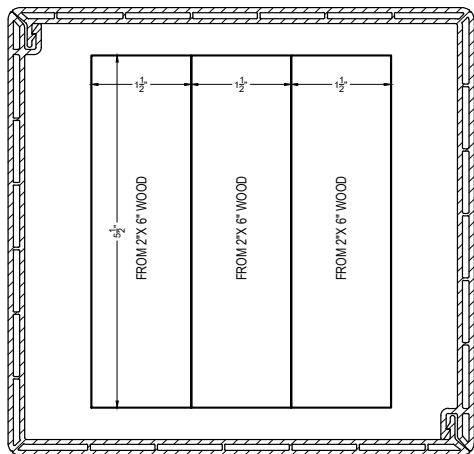
ChamClad 2pc. 7\"/>



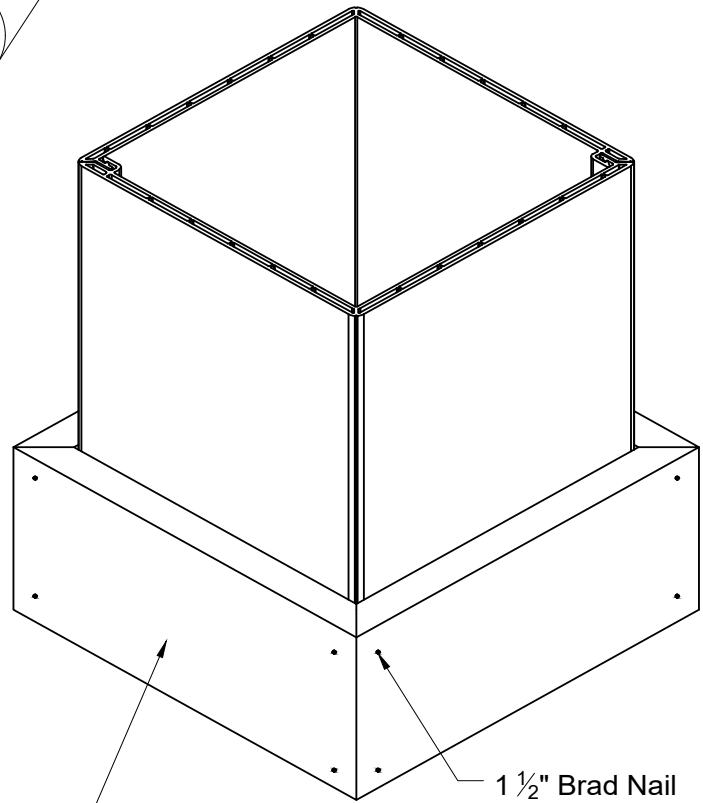
COLUMN SNAP ASSEMBLY



COLUMN WITH 2\"/>



COLUMN WITH 2\"/>



ISOMETRIC VIEW

1\"/>

1 1/2\"/>

If required use touch up pen on architectural trim mitre cuts

CHAMCLAD COLUMN SYSTEM
 2PC 7\"/>

1
 CD-27

NOT TO SCALE

10235-184 Street NW
 Edmonton, AB T5S 2J4
 PH: (780) 454-4430

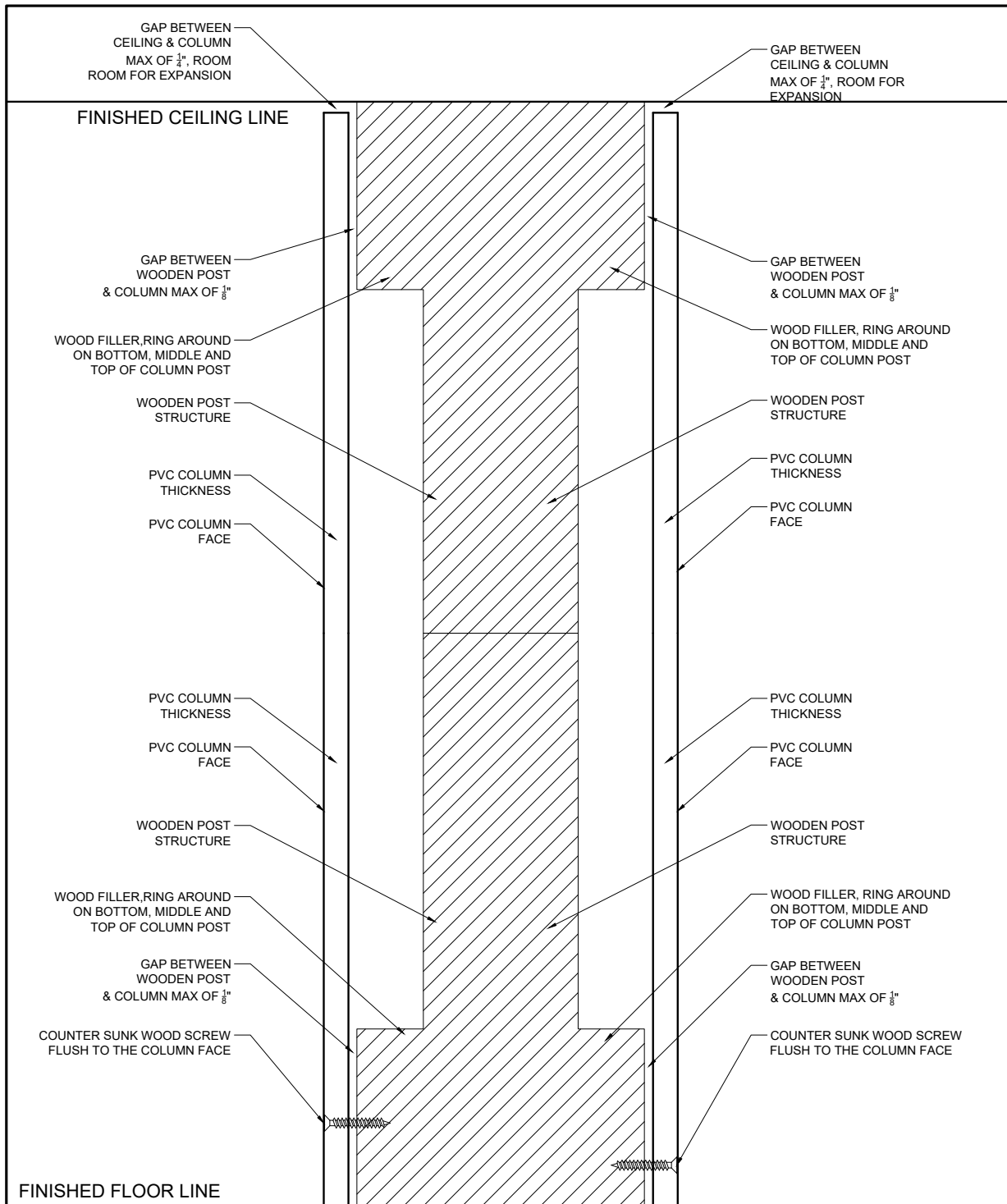
INSTALLATION SYSTEM	CHAMCLAD COLUMN SYSTEM
INSTALLATION PROCESS	COLUMN WRAP

SHEET CONTENT	2PC 7\"/>
---------------	-----------

REVISIONS	UPDATE TO LATEST PRODUCT DESCRIPTION
-----------	--------------------------------------

DATE	11/08/23
DRAWING INFORMATION	
SCALE:	AS SHOWN
PREPARED BY:	RFE
DATE START:	11/15/23
DRAWN BY:	RFE
DATE FINISHED:	11/15/23
DESIGNED BY:	RFE
APPROVED BY:	A.G.
SHEET NUMBER	CD-27

Note: The copyright in this drawing is the property of the above company, and neither the drawing nor any part of it, nor any information contained therein, shall be reproduced or disclosed to any third party other than for the purpose of the use of the company product. This drawing is the property of ChamClad by Chameleon and shall not be reproduced or disclosed in whole or in part without the consent of ChamClad by Chameleon and shall be prosecuted by law. Copyright © 2020




ARCHITECTURAL
TRIM SIDE

CHAMCLAD COLUMN SYSTEM

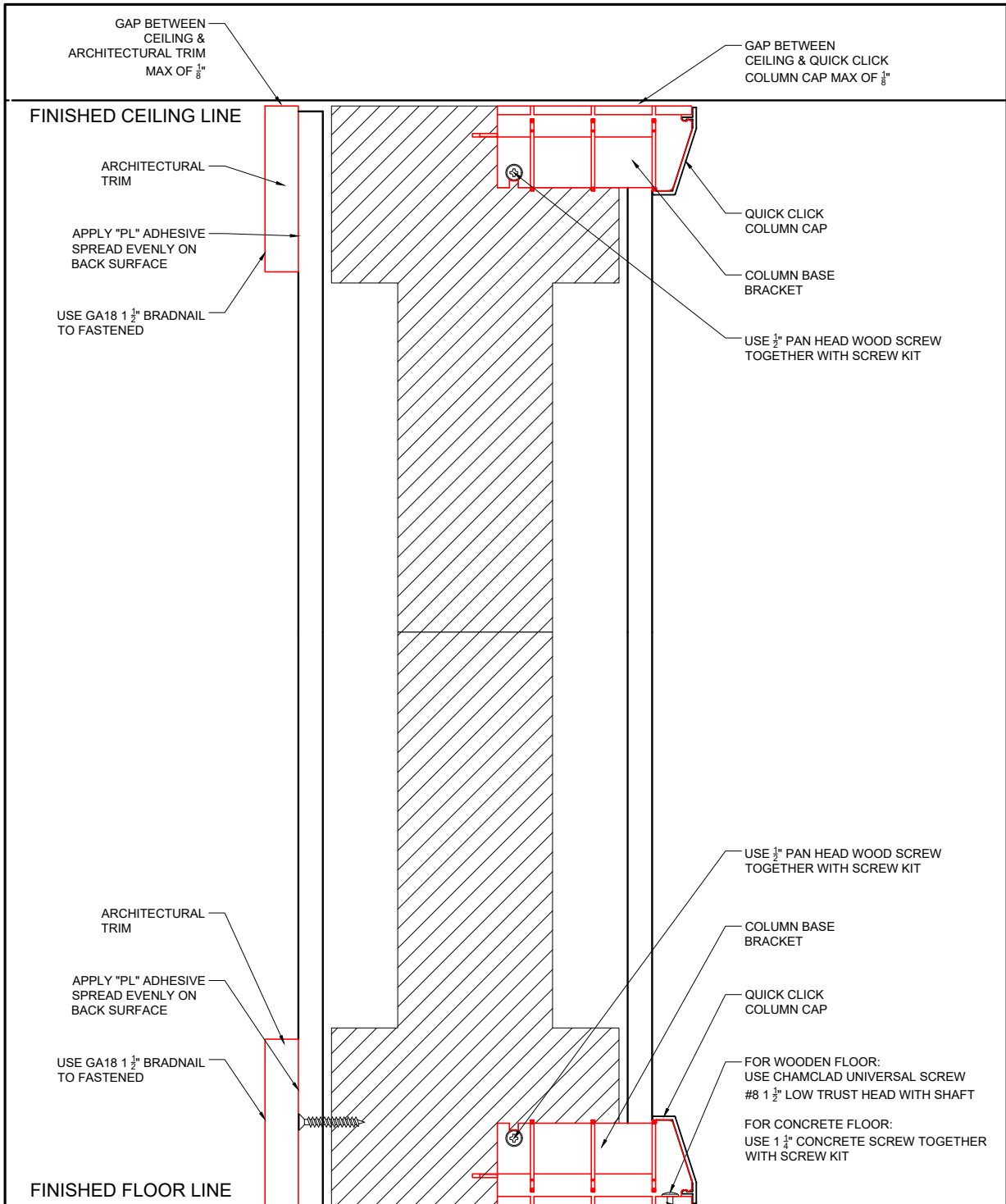
QUICK CLICK
COLUMN CAP SIDE

1
CD-29 NOT TO SCALE:

TYPICAL COLUMN INSTALL ON RINGED COLUMN POST


 10235-184 Street NW Edmonton, AB T5S 2J4 PH: (780) 454-4430	INSTALLATION SYSTEM	SHEET CONTENT	REVISIONS	DATE	DRAWING INFORMATION		
	CHAMCLAD COLUMN SYSTEM		UPDATE TO LATEST PRODUCT DESCRIPTION	11/08/23	SCALE:	AS SHOWN	
	INSTALLATION PROCESS		TYPICAL COLUMN INSTALL ON RINGED COLUMN POST			PREPARED BY: RFE	DATE START: 07/31/24
	HORIZONTAL INSTALLATION					DRAWN BY: RFE	DATE FINISHED: 07/31/24
				DESIGNED BY: RFE	APPROVED BY: A.G.		
				SHEET NUMBER	CD-29		

Note: The copyright in this drawing is the property of the above company, and neither the drawing nor any part of it, nor any information contained therein, shall be reproduced or disclosed to any third party other than for the purpose of the use of the company product. This drawing is the property of ChamClad by Chameleon and shall not be reproduced or disclosed in whole or in part without the consent of ChamClad by Chameleon and shall be prosecuted by law. Copyright © 2020

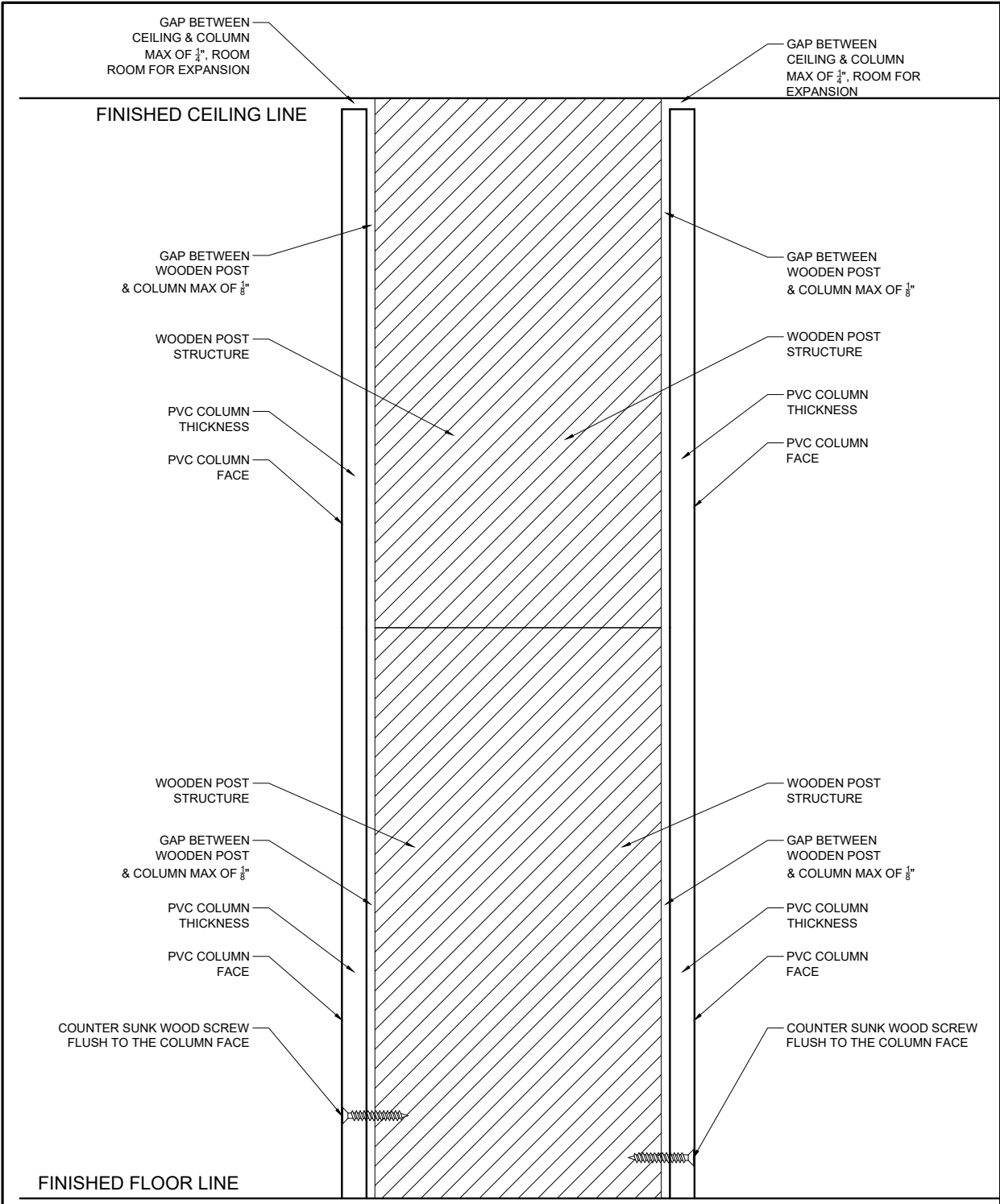


ARCHITECTURAL TRIM SIDE **CHAMCLAD COLUMN SYSTEM TYPICAL TRIM INSTALL ON RINGED COLUMN POST** **QUICK CLICK COLUMN CAP SIDE**

1
 CD-30 NOT TO SCALE:

 10235-184 Street NW Edmonton, AB T5S 2J4 PH: (780) 454-4430	INSTALLATION SYSTEM	SHEET CONTENT	REVISIONS	DATE	DRAWING INFORMATION	
	CHAMCLAD COLUMN SYSTEM	TYPICAL TRIM INSTALL ON RINGED COLUMN POST	UPDATE TO LATEST PRODUCT DESCRIPTION	11/08/23	SCALE:	AS SHOWN
	INSTALLATION PROCESS				PREPARED BY: RFE	DATE START: 07/31/24
	HORIZONTAL INSTALLATION				DRAWN BY: RFE	DATE FINISHED: 07/31/24
					DESIGNED BY: RFE	APPROVED BY: A.G.
					SHEET NUMBER	CD-30

Note: The copyright in this drawing is the property of the above company, and neither the drawing nor any part of it, nor any information contained therein, shall be reproduced or disclosed to any third party other than for the purpose of the use of the company product. This drawing is the property of ChamClad by Chameleon and shall not be reproduced or disclosed in whole or in part without the consent of ChamClad by Chameleon and shall be prosecuted by law. Copyright © 2020




ARCHITECTURAL TRIM SIDE

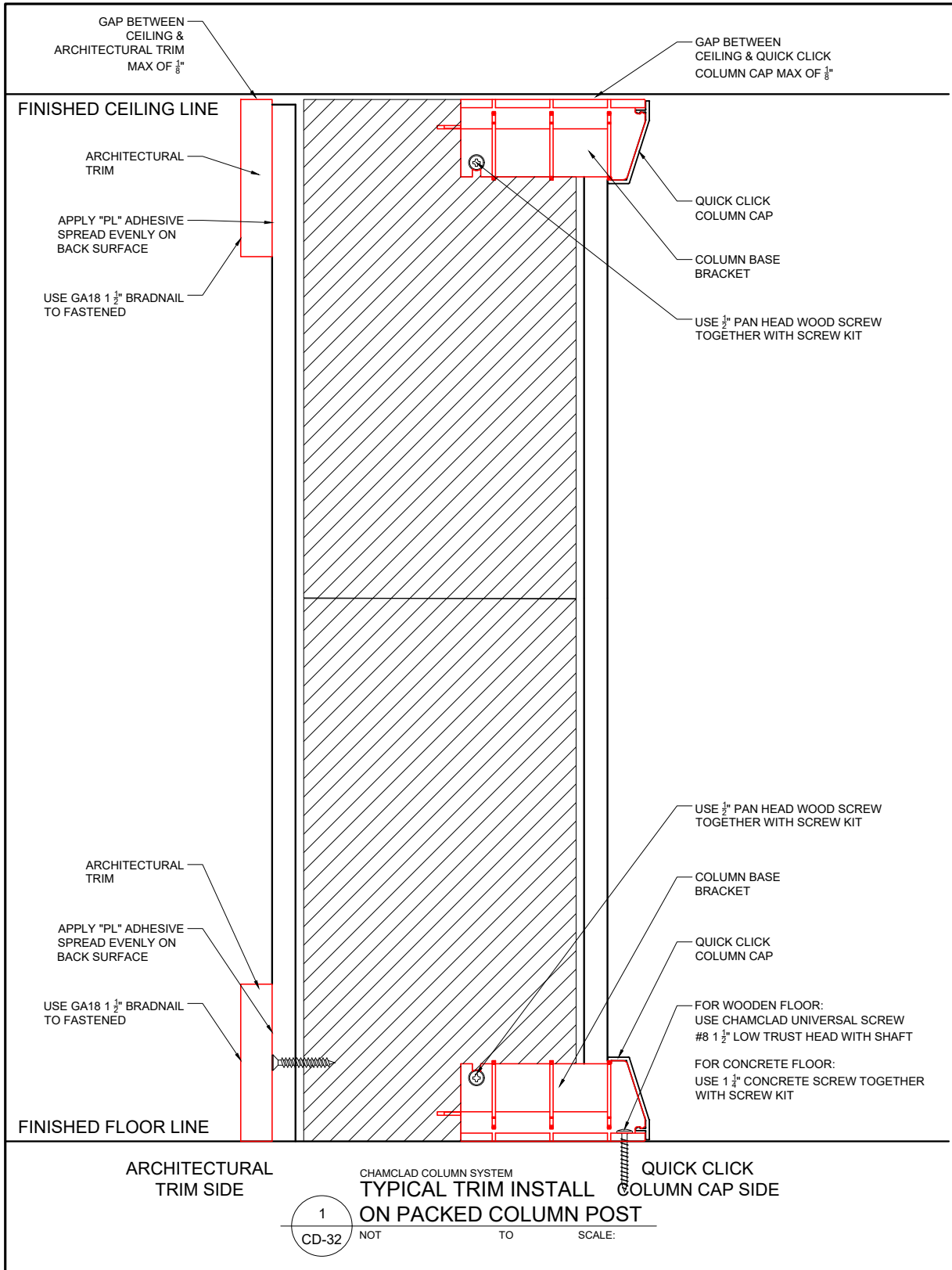
CHAMCLAD COLUMN SYSTEM
TYPICAL COLUMN INSTALL
ON PACKED COLUMN POST


QUICK CLICK COLUMN CAP SIDE

1
CD-31 NOT TO SCALE

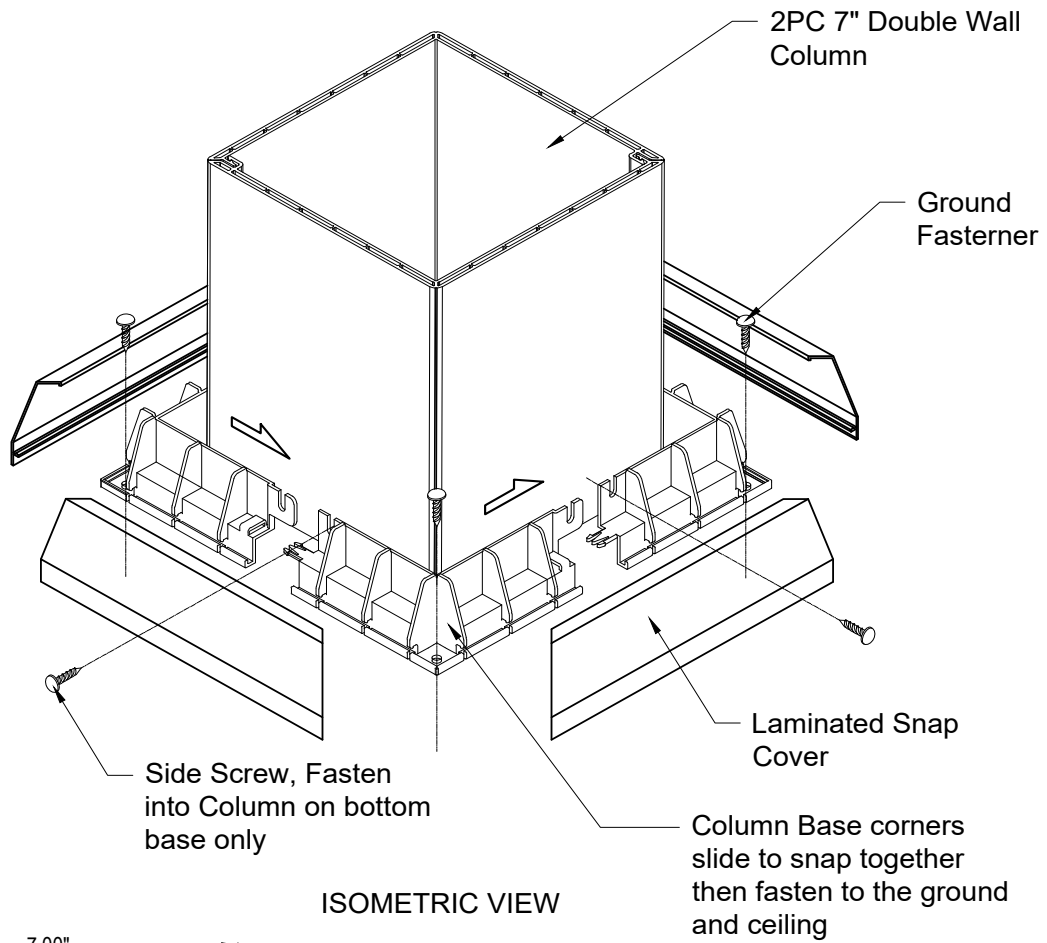
 <p>10235-184 Street NW Edmonton, AB T5S 2J4 PH: (780) 454-4430</p>	INSTALLATION SYSTEM	SHEET CONTENT TYPICAL COLUMN INSTALL ON PACKED COLUMN POST	REVISIONS	DATE	DRAWING INFORMATION			
	CHAMCLAD COLUMN SYSTEM		UPDATE TO LATEST PRODUCT DESCRIPTION	11/08/23	SCALE:	AS SHOWN		
	INSTALLATION PROCESS				PREPARED BY:	RFE	DATE START:	07/31/24
	HORIZONTAL INSTALLATION				DRAWN BY:	RFE	DATE FINISHED:	07/31/24
					DESIGNED BY:	RFE	APPROVED BY:	A.G.
					SHEET NUMBER	CD-31		

Note: The copyright in this drawing is the property of the above company, and neither the drawing nor any part of it, nor any information contained therein, shall be reproduced or disclosed to any third party other than for the purpose of the use of the company product. This drawing is the property of ChamClad by Chameleon and shall not be reproduced or disclosed in whole or in part without the consent of ChamClad by Chameleon and shall be prosecuted by law. Copyright © 2020

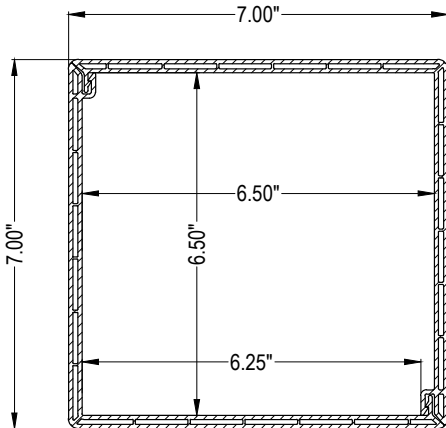


 10235-184 Street NW Edmonton, AB T5S 2J4 PH: (780) 454-4430	INSTALLATION SYSTEM	SHEET CONTENT	REVISIONS	DATE	DRAWING INFORMATION	
	CHAMCLAD COLUMN SYSTEM	TYPICAL COLUMN INSTALL ON PACKED COLUMN POST	UPDATE TO LATEST PRODUCT DESCRIPTION	11/08/23	SCALE:	AS SHOWN
	INSTALLATION PROCESS				PREPARED BY: RFE	DATE START: 07/31/24
	HORIZONTAL INSTALLATION				DRAWN BY: RFE	DATE FINISHED: 07/31/24
					DESIGNED BY: RFE	APPROVED BY: A.G.
					SHEET NUMBER	CD-32

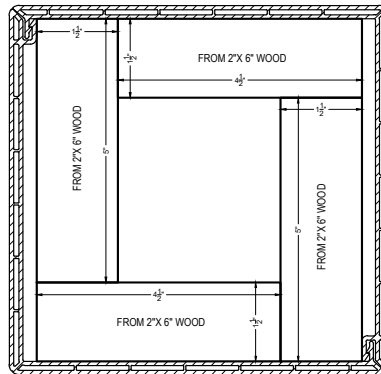
Note: The copyright in this drawing is the property of the above company, and neither the drawing nor any part of it, nor any information contained therein, shall be reproduced or disclosed to any third party other than for the purpose of the use of the company product. This drawing is the property of ChamClad by Chameleon and shall not be reproduced or disclosed in whole or in part without the consent of ChamClad by Chameleon and shall be prosecuted by law. Copyright © 2020



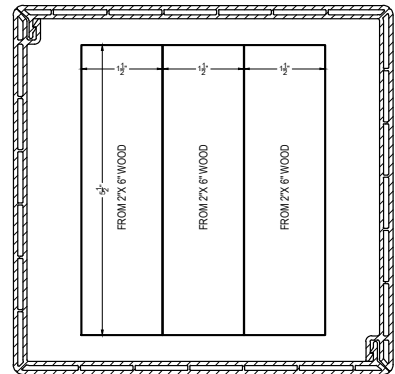
ISOMETRIC VIEW



COLUMN PROFILE

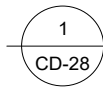


COLUMN WITH 2"X6" WOOD FRAME (OPTION 1)



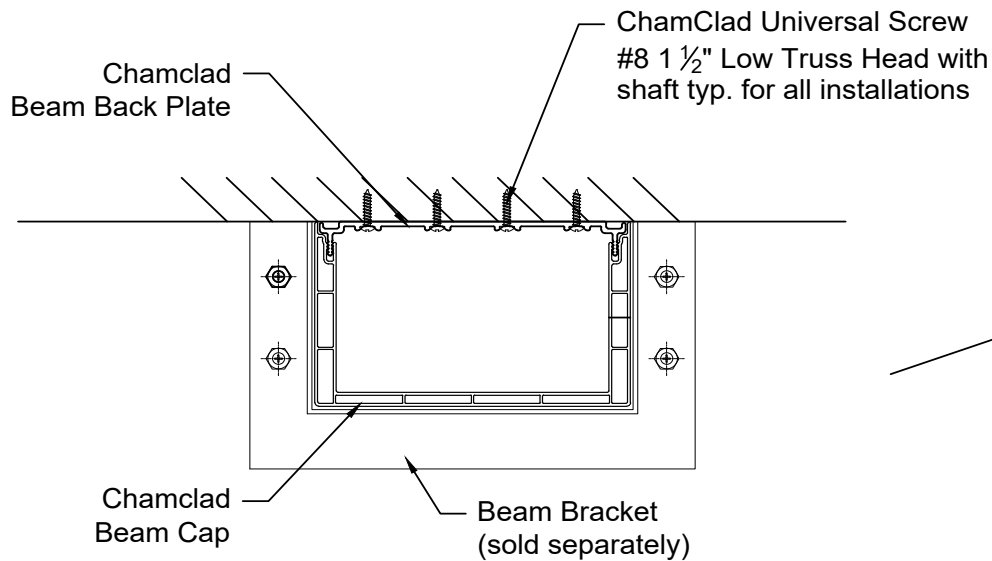
COLUMN WITH 2"X6" WOOD FRAME (OPTION 2)

CHAMCLAD COLUMN SYSTEM
2PC 7" DOUBLE WALL COLUMN ASSEMBLY
 QUICK CLICK COLUMN CAP/BASE (EXPLODED DETAIL)

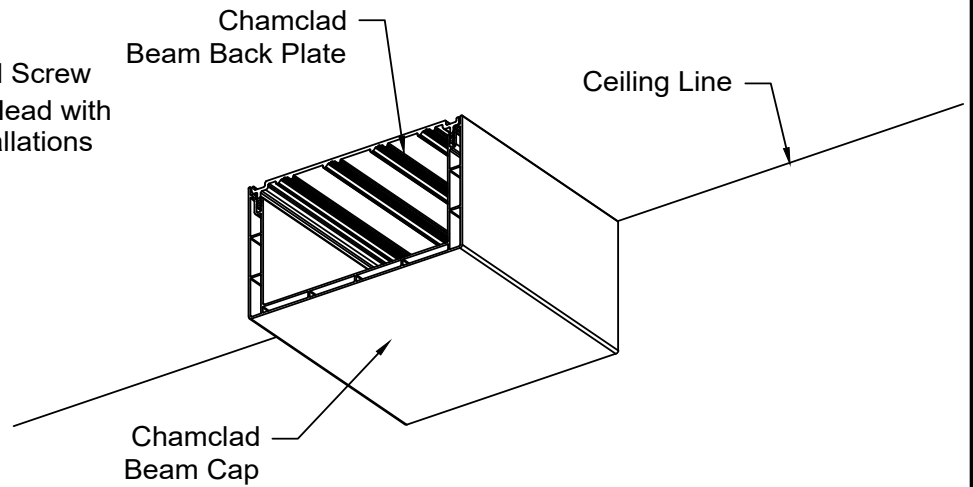


 10235-184 Street NW Edmonton, AB T5S 2J4 PH: (780) 454-4430	INSTALLATION SYSTEM	SHEET CONTENT	REVISIONS	DATE	DRAWING INFORMATION	
	CHAMCLAD COLUMN SYSTEM	2PC 7" DOUBLE WALL COLUMN ASSEMBLY W/ COLUMN CAP/BASE (EXPLODED DETAIL)	UPDATE TO LATEST PRODUCT DESCRIPTION	11/08/23	SCALE:	AS SHOWN
	INSTALLATION PROCESS				PREPARED BY: RFE	DATE START: 11/15/23
	COLUMN WRAP				DRAWN BY: RFE	DATE FINISHED: 11/15/23
					DESIGNED BY: RFE	APPROVED BY: A.G.
					SHEET NUMBER	CD-28

Note: The copyright in this drawing is the property of the above company, and neither the drawing nor any part of it, nor any information contained therein, shall be reproduced or disclosed to any third party other than for the purpose of the use of the company product. This drawing is the property of ChamClad by Chameleon and shall not be reproduced or disclosed in whole or in part without the consent of ChamClad by Chameleon and shall be prosecuted by law. Copyright © 2020



1 CHAMCLAD BEAM SYSTEM
2PC FAUX BEAM DETAIL
CD-18 NOT TO SCALE



2 CHAMCLAD BEAM SYSTEM
ISOMETRIC VIEW
CD-18 NOT TO SCALE



10235-184 Street NW
Edmonton, AB T5S 2J4
PH: (780) 454-4430

INSTALLATION PROGRAM	CHAMCLAD BEAM SYSTEM
INSTALLATION PROCESS	FAUX BEAM ASSEMBLY

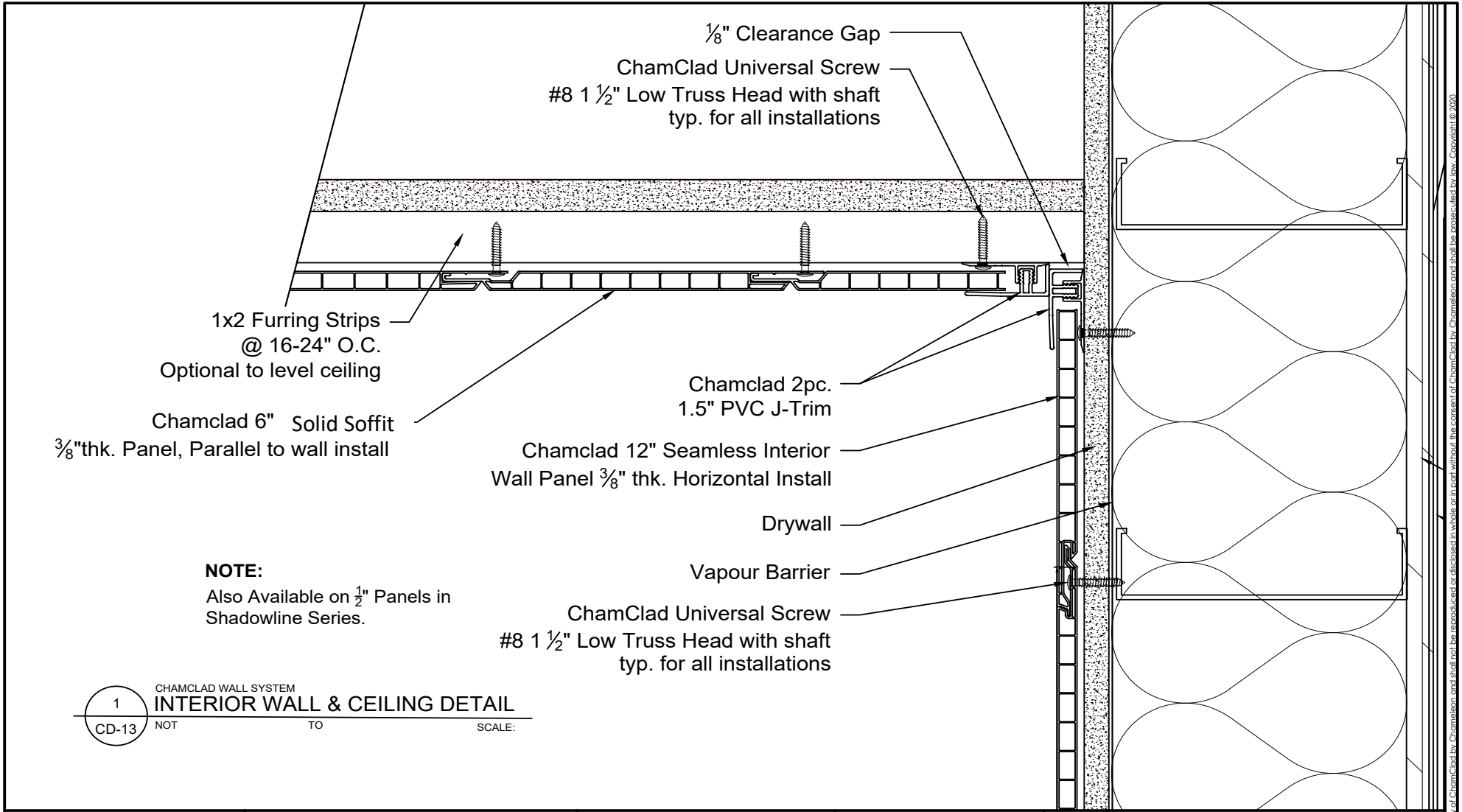
SHEET CONTENT	FAUX BEAM DETAIL ISOMETRIC VIEW
---------------	------------------------------------

REVISIONS	DATE
UPDATE TO LATEST PRODUCT DESCRIPTION	11/10/23

DRAWING INFORMATION			
SCALE:	AS SHOWN		
PREPARED BY:	RFE	DATE START:	11/10/23
DRAWN BY:	RFE	DATE FINISHED:	11/10/23
DESIGNED BY:	RFE	APPROVED BY:	A.G.
SHEET NUMBER	CD-18		


Note: The copyright in this drawing is the property of the above company, and neither the drawing nor any part of it, nor any information contained therein, shall be reproduced or disclosed to any third party other than for the purpose of the use of the company product.

This drawing is the property of ChamClad by ChamClad and shall not be reproduced or disclosed in whole or in part without the consent of ChamClad by ChamClad and shall be reproduced by law. Copyright © 2020



NOTE:
Also Available on 1/2" Panels in Shadowline Series.

1 CHAMCLAD WALL SYSTEM
 CD-13 NOT TO SCALE
 INTERIOR WALL & CEILING DETAIL

 10235-184 Street NW Edmonton, AB T5S 2J4 PH: (780) 454-4430	INSTALLATION PROGRAM CHAMCLAD WALL SYSTEM	SHEET CONTENT INTERIOR WALL & CEILING DETAIL	REVISIONS UPDATE TO LATEST PRODUCT DESCRIPTION	DATE 12/14/23	DRAWING INFORMATION SCALE: AS SHOWN	
	INSTALLATION PROCESS HORIZONTAL WALL INSTALL & CEILING INSTALL ASSEMBLY				PREPARED BY: RFE DATE START: 12/14/23	DATE FINISHED: 12/14/23
					DRAWN BY: RFE DESIGNED BY: RFE	APPROVED BY: A.G.
					SHEET NUMBER CD-13	

Note: The copyright in this drawing is the property of the above company, and neither the drawing nor any part of it, nor any information contained therein, shall be reproduced or disclosed to any third party other than for the purpose of the use of the company product.

○ Install the beam cap and fasten the object directly onto the beam cap and into the wood

Care and Maintenance of ChamClad® Exterior Wall Panels

ChamClad® products are designed to be low maintenance and our Laminate Films have exceptional properties that ensure ease of cleaning and surface longevity. They are highly ultra-violet, scratch, and salt air resistant. The film's low surface tension makes it inherently dirt-repellent and therefore easy to clean. ChamClad® finishes include anti-graffiti properties and, in most cases can be easily removed using a garden hose and mild kitchen detergent and warm water.

If cleaning required, follow these simple instructions below:

- Using a soft bristled nylon brush attached to a garden hose, clean the surface with a mild PH neutral soap or non-abrasive kitchen detergent in warm water. DO NOT USE abrasive, erosive, or caustic solvents to clean ChamClad® panels as they can damage the panel finish and will void the warranty.
- To avoid streaking start at the top of the wall – working your way to the bottom.
- Follow with a thorough rinsing of fresh water to ensure that substances such as airborne salts, dirt and pollutants are removed.
- Always remove unintentional paint splashes, stucco spills, etc. immediately to prevent the possibility of permanent staining.
- You may pressure wash ChamClad® panels with a low PSI pressure washer. DO NOT exceed 1500 PSI.

Should you experience removal difficulties, please contact us via email at info@ChamClad.com.

Installation Tips - At a Glance.

Do

Don't

1. Before You Start

- Review the installation manual and all local building codes before starting the install.

- Don't install damaged or questionable materials. Check all products and call ChamClad® customer service.

2. Storage and Handling

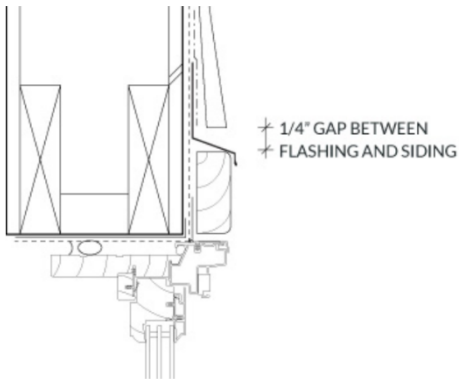
- If storing cladding outside, when possible, keep out of direct sunlight.
- Store on a flat level surface, cover with a tarp leaving the ends open for air circulation.
- Carry ChamClad® panels by holding it by the narrow edge and pick panels up in the center.

- Don't allow panels to come in contact with asphalt or in areas prone to excessive heat buildup.
- Don't use abrasive cleaners or solvents to clean ChamClad® cladding.

3. Flashing

- Use non-corrosive flashing.
- Always leave a minimum of ¼" gap between the bottom of the cladding and metal flashings

- Don't use uncoated aluminum or other metal materials.



4. Wraps and Sheathing

- Install horizontal and vertical exterior cladding to structural framing when using non-structural sheathing, drywall, or foam.
- Cladding must be installed onto structural framing/sheathing and over a water-resistant barrier in accordance with local building codes.
- Don't fasten ChamClad® cladding over non-structural framing or sheathing (e.g., foam) without re-establishing a structural surface like a rain screen or furring strips.

5. Clearance

- Install exterior cladding at least 2" or as per building code requirements above finished grade. Allow ½" above deck or concrete.
- Refer to the ChamClad® Gap allowance temperature guidelines on page 10 in order to allow for proper expansion/contraction between panels and trims.

6. Cutting

- Carbide-tipped blades with 84+ teeth are recommended. (Aluminum blades are optimal)
 - If using a circular saw, cut cladding face down on a clean surface.
 - If using a cut-off saw, cut face up.
 - Don't score or snap ChamClad® exterior cladding.
 - Don't cut ChamClad® with a coarse saw blade to avoid chipping or damaging the panel.
-

-
7. Butt Ends
- If attaching ChamClad® cladding end to end, use H-trim and cut panels to the appropriate length to allow for expansion and contraction.
 - DO NOT butt join.
 - Don't place panels into H-Trim without proper gap for expansion and contraction (refer to chart on page 10).
 - Do not leave gaps between two butt ends without utilizing an H-trim. Do not glue butt ends.

-
8. Fastening
- Screws must penetrate the structural framing members.
 - Fastener must be installed into the center of the nailing slot.
 - Fasteners must penetrate a minimum of 1 ¼" into structural framing. Structural sheathing is a minimum of 7/16" OSB or plywood (as per local building codes).
 - Use Chamclad® Universal screws; stainless fasteners or corrosion resistant are recommended (e.g., 17 Self tapping, round washer, lo root #8)
 - Always leave a 1/32" gap (width of a dime) between the fastener head and nailing slot
 - Don't counter sink or angle the fastener. PVC cladding must be hung and be allowed to expand and contract freely.
 - Don't use galvanized screws.
 - Don't use soffit staples, D-head nails, finishing nails or glue to install exterior.
 - Don't fasten panel into the bottom of trims.
 - Don't exceed recommended spacing between fasteners.
-
-

Additional Tips:

- Use ChamClad® touch-up pens to cover any exposed PVC substrate resulting from cutting or a surface scratch.
 - Use backing for all trims.
 - Fasten panels 16-24" OC.
 - Fasten trims 8-12" OC.
 - Fasten Soffit at 12-16" OC.
 - Use centre of nail slots.
 - Cut panels shorter to allow for expansion/contraction clearance. See Gap Chart on page 10.
 - Use a non-marking Rubber mallet or hand pressure to install V-groove system and top caps of all 2pc trims.
 - Break vertical installation at every floor level using ChamClad® H-Trim or flashing detail (supplied by others).
 - **DO NOT install gas heaters into a soffit or ceiling application!**
 - **If planning to install infrared heaters, check with the Chamclad® engineering department to ensure compatibility with cladding.**
-

Glossary

This guide is written for construction professionals. Language typical of the cladding and cladding industry has been used throughout this document, the majority of which has been defined below. A simplified guide is available at the end of this document.

Back Sealing/Priming: Applying a sealer/primer to the back of cladding is NOT recommended for use with ChamClad® heavy gauge panels.

Belly Band: A decorative horizontal trim piece or board placed between two floors or types of cladding, usually along the rim joist.

Beaded: A narrow, half-round molding at the base of a cladding panel or board.

Blind Nailing: Fastening through the top edge of a lap cladding to hide the fastener head with the next course of cladding.

Butt End: A joint created by placing adjoining edges of cladding end to end with no overlap.

Casing: Molding of various widths used to trim around windows and door openings at the jambs. These are also known as lineal window and door surrounds.

Contraction: This commonly is referred to a building material contracting due to heat loss or moisture leaving the product. Generally, this occurs when the outside temperature drops.

Course: A row of cladding running the width of a house or wall. In the case of vertical siding, it would run the height of the wall.

Drip Cap: A horizontal flashing placed over an exterior door or window to divert rainwater away from the wall.

Eave: The overhang of a pitched roof; usually made up of a fascia board, a soffit for closed cornices, and the necessary trims.

Expansion: Most often refers to building materials expanding due to outside temperature increases. In the case of wood or wood by-products, expansion may be caused by moisture entering the product.

Exposure: The width of the exposed face of the board, sometimes called the reveal.

Face: The exposed side of the cladding, trim, or soffit after the material is installed.

Face Nailing: This is where a nail is fastened through the overlap; this exposes the head of the nail, screw, or staple. This is NOT a recommended method of fastening ChamClad® cladding and soffit panels.

Fascia: The flat, horizontal band that covers the rafter tails at the bottom edge of the roofline.

Flashing: A material (usually metal) placed around openings to prevent water penetration or to direct the flow of rainwater over the cladding.

F- Channel Trim: The horizontal trim used to connect and support the soffit at the top of the cladding.

Furring Strip: Long, thin lengths of wood or metal strips used to build out the surface of the wall to facilitate fastening. It is also used to even out imperfections on the wall surface, establish a rain screen, or provide a structural fastening surface on non-structural materials like rigid foam insulation.

Gable: A triangle formed by a sloped roof on the side or front of a house.

Hot Dipped Galvanized: A process whereby metal is dipped into molten zinc to apply a protective coating to prevent corrosion.

H-Channel Trim: Used to conceal cut edges when installing horizontal and vertical cladding or soffit material. The trim covers butt ends or joints as they approach each other. This is mainly for aesthetic purposes.

Lap cladding: Where two pieces of cladding over-lap each other.

Lineal: Moldings of various widths used to trim door and window openings at the jambs. Also known as casings or window/door surrounds.

Mitre Cut: A beveled cut (usually 45 degrees) made at the end of a trim or board, creating a mitre joint.

O.C.: On centre. The distances between the center of two members in a structure, most often studs.

Profile: The contour or outline of a cladding board, viewed from the side.

Rain-screen Wall: This is a method for building walls where the cladding is separated from a membrane by airspace. This allows the equalization of the air pressure behind the cladding and prevents rainwater from being forced in. This is usually created by using furring strips behind the cladding and over the weather-resistant barrier.

Rigid Sheathing: Plywood, OSB, or foam sheathing.

Rim Joist: A board that the rest of the joists are nailed to that run the entire perimeter of the house.

Rip-Cut: A cut made lengthwise on a board or plank along the grain.

Shim: A building material (usually made of wood) used to even a surface.

Soffit: The underside of an overhanging eave. Depending on local building codes, this can be vented or non-vented.

Square: A unit of measure for cladding or roofing equal to 100 square feet of exposure (e.g., 10' x 10' = 100 square feet = 1 "square").

Starter Strip: A trim piece used to start the first course (row) of cladding. This ensures a consistent visual line.

Structural Sheathing: A layer of boards, wood, or other materials applied to the outer studs, joists, or rafters to strengthen the structure and serve as a stable base for the exterior cladding.

Substrate: A layer of material applied to the exterior walls of a building.

Weather-Resistant Barrier: A membrane that protects the exterior wall envelope from exterior wind and water penetration.



Sustainable wood solutions for today's world.

Revised: June 1st, 2024