

# SHADOWLINE SERIES ENGINEERED RECYCLED RIGID PVC



## ½" EXTERIOR SHADOWLINE PANEL

6" - 12', 16' & 20'

6" - 2 x 3" REVEAL - 12', 16' & 20'

12" - 6 x 2" REVEAL - 12' & 16' \*CCMC Pending\*

Please Note: if you are using our shadowline panels for soffit ventilation is supplied by others.

## ALUMINUM /PVC TRIMS

2PC OUTSIDE CORNER (2" & 3.5"), 2PC J- TRIM (2" & 3.5"), 2PC ALUMINUM H-TRIM (2.75"), 1PC PVC INSIDE CORNER, STARTER STRIP

## LEAD TIMES

1-2 WEEKS FOR STOCK COLORS + SHIPPING

2-3 WEEKS FOR NON-STOCK COLORS + SHIPPING

## FINISHES

WOODGRAINS, SOLIDS, ANODIZED, METALLICS & INTERIOR FINISHES

NON STOCK COLOURS AVAILABLE (ADDITIONAL LEAD TIMES)



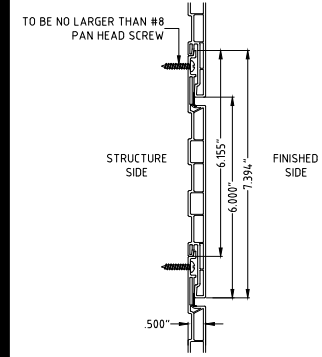
## TESTING

- CCMC 14323-R
- CCMC TG 07.46.33.07
- CAN/CGSB – 41,24-95
- CAN/ULC S101-14
- CAN/ULC S102-2018
- CAN/ULC S102.2-2018
- CAN/ULC S134
- ASTM D3679-17
- ASTM E119-22
- ASTM G154-16
- ASTM G155-21
- ASTM D635-18
- AAMA 303-19
- AAMA 307-16
- AAMA 664-21

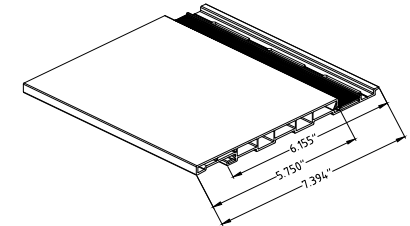
## CHAMCLAD ADVANTAGE

- 50 YEAR WARRANTY
- CONTRIBUTES TO LEED CERTIFICATION
- SCRATCH & GRAFFITI RESISTANT
- SUPERIOR UV PROTECTION
- IMPERVIOUS TO WATER ABSORPTION, BACTERIA AND MOLD
- LOW MAINTENANCE
- HIGH IMPACT RESISTANCE
- SHORT LEAD TIMES
- CANADIAN MANUFACTURED FROM 100% RECYCLED RIGID PVC
- CANADA AND US DISTRIBUTION

May be used for Interior applications

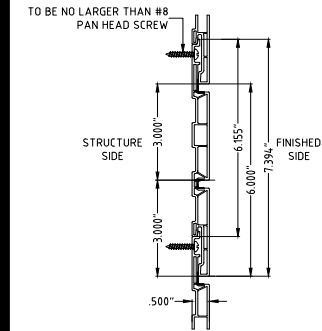


6" Panel with a full 6" reveal

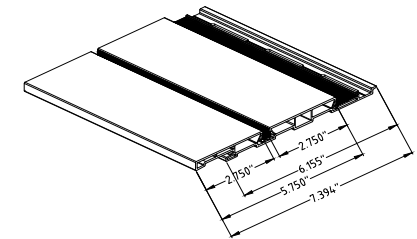


PERSPECTIVE

6" SHADOWLINE PROFILE STACKER SYSTEM INSTALLATION

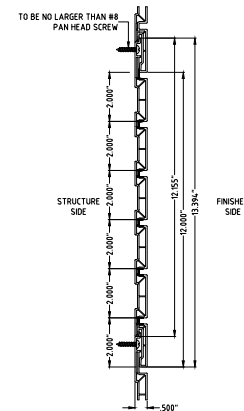


6" Panel with 2 x 3" reveals

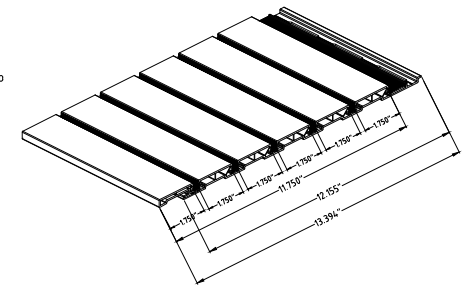


PERSPECTIVE

6" PANEL WITH 3" SHADOWLINE PROFILE STACKER SYSTEM INSTALLATION



\*12" Panel with 6 x 2" reveals



12" PANEL WITH 6" SHADOWLINE PROFILE STACKER SYSTEM INSTALLATION

